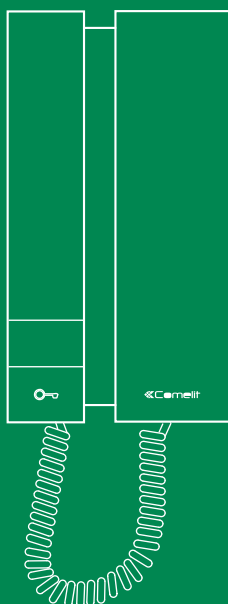


EN

TECHNICAL
MANUAL



Door-entry phone art. 2738W

 **Comelit**[®]
Passion. Technology. Design.

Warning

Intended use

This Comelit product was designed for use in the creation of audio and video communication systems in residential, commercial or industrial settings and in public buildings or buildings used by the public.

Installation

All activities connected to the installation of Comelit products must be carried out by qualified technical personnel, with careful observation of the indications provided in the manuals / instruction sheets supplied with those products.

Wires

Use wires with a cross-section suited to the distances involved, observing the instructions provided in the system manual.

We advise against running the system wires through the same duct as the power cables (230V or higher).

Safe usage

To ensure Comelit products are used safely:

- carefully observe the indications provided in the manuals / instruction sheets
- make sure the system created using Comelit products has not been tampered with / damaged.

Maintenance

Comelit products do not require maintenance aside from routine cleaning, which should be carried out in accordance with the indications provided in the manuals / instruction sheets.

Any repair work must be carried out

- for the products themselves, exclusively by **Comelit Group S.p.A.**,
- for systems, by qualified technical personnel.

Disclaimer

Comelit Group S.p.A. does not assume any responsibility for

- any usage other than the intended use
- non-observance of the indications and warnings contained in this manual / instruction sheet.

Comelit Group S.p.A. nonetheless reserves the right to change the information provided in this manual / instruction sheet at any time and without prior notice

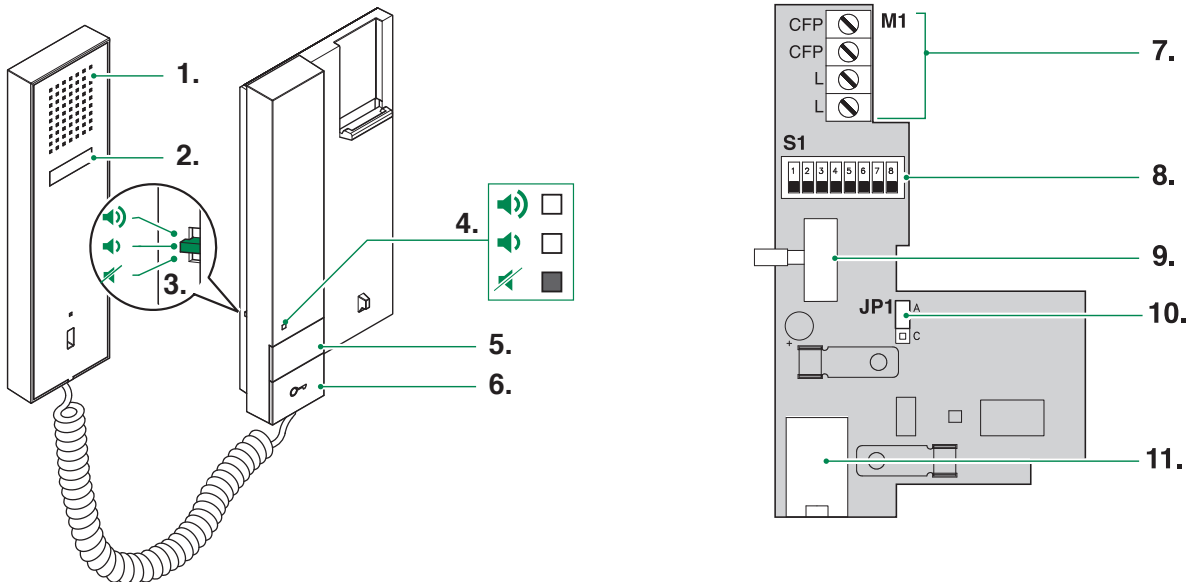
Table of contents

Warning	2
Description.....	3
Technical characteristics.....	4
Installation.....	5
Connections.....	6
Connection to the video entry riser and the floor door call button.....	6
Branched connection to the video entry riser from the internal video unit.....	6
Connection to the door entry riser and the floor door call button	6
Programming	7
DIP-switch programming table	7
EXAMPLE: dip switch setting for code 200	7

Description

MINI series door-entry phone complete with key button, P1 button and a 3-position ringtone / Privacy selector, suitable for use in audio systems with power supply unit 1210 and audio-video systems with power supply units 1209, 1210, 4888C.

Dimensions: 105 x 190 x 28 mm



1. Loudspeaker

2. Audio hook

! *Do not press and hold the audio hook while the handset is lifted*

3. 3-position ringtone / Privacy selector:

High position: Maximum ringtone volume

Middle position: Medium ringtone volume

Low position: Privacy activation (Privacy service means exclusion of the call ringtone from the external unit and switchboard)

4. Red indicator signaling: Privacy service active

5. P1 button for switchboard call / Generic actuator

6. Key button

7. Terminal block M1:

CFP CFP floor door call input

LL BUS line connection

8. DIP-switch for setting user code (See [“DIP-switch programming table”](#))

9. Bell / Privacy selector

10. **JP1** jumper for selecting the Generic actuator / Switchboard call function of button P1



A Generic Actuator



C Switchboard

11. Handset connector

Technical characteristics

MAIN FEATURES

System	SimplebusTop (S1 e S2)
Audio system	Yes
Audio/video system	Yes
Wall-mounted	Yes
Desk base-mounted	Yes
Hands-free function	-
Induction loop function	-
Product color	White
Total buttons	2
LED signaling	No

FUNCTIONS

Actuator control function	Yes
Switchboard call function	Yes
Panic call	-
General intercom call	-
Selective intercom call	-
Privacy function	Yes
Doctor	-
Floor door call function	Yes
Electronic bell	Yes
Customisable ringtone	-

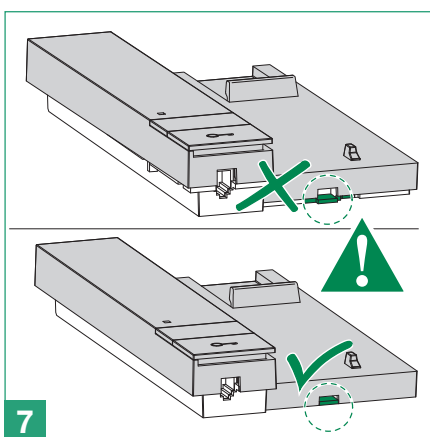
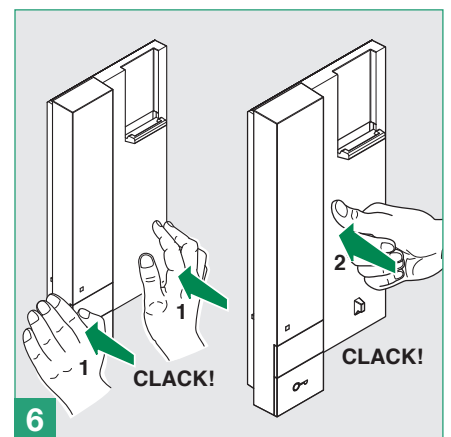
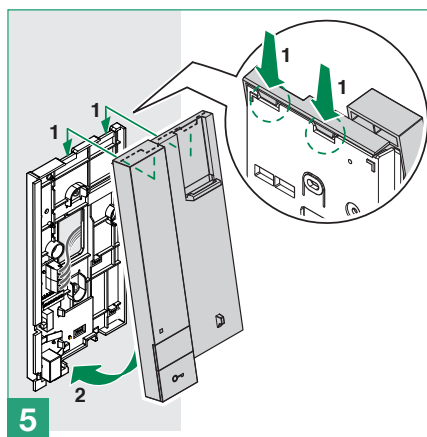
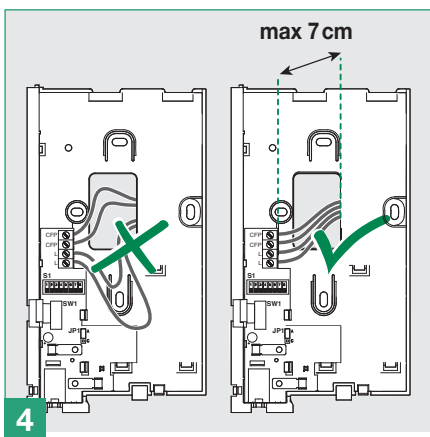
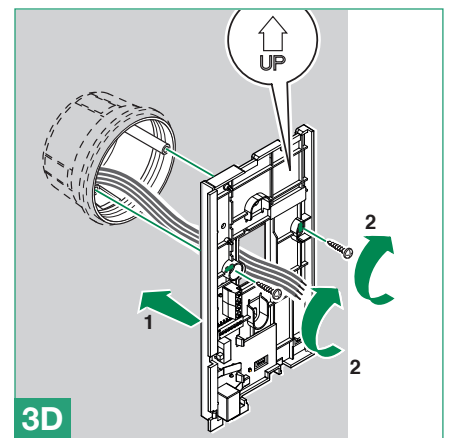
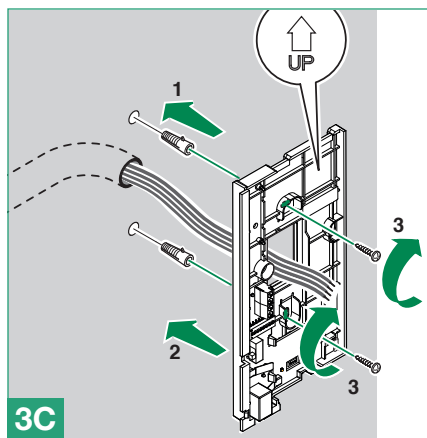
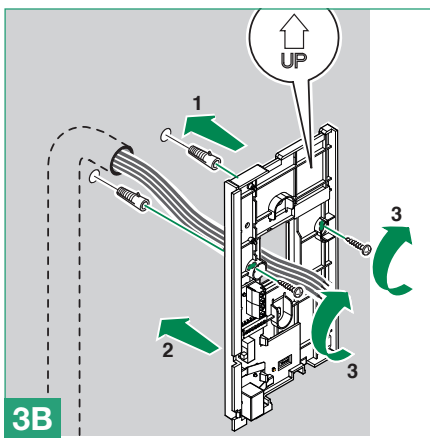
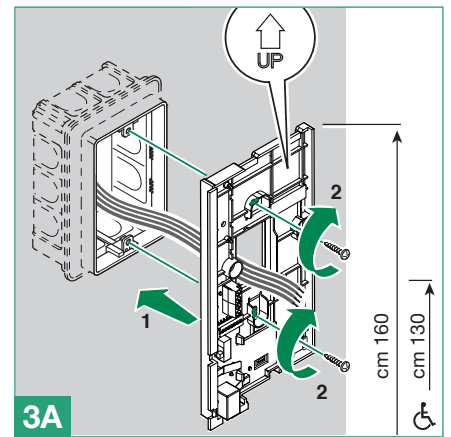
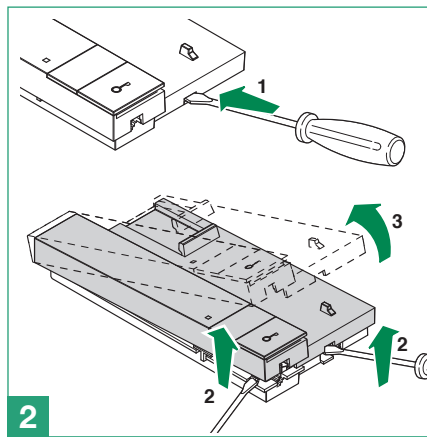
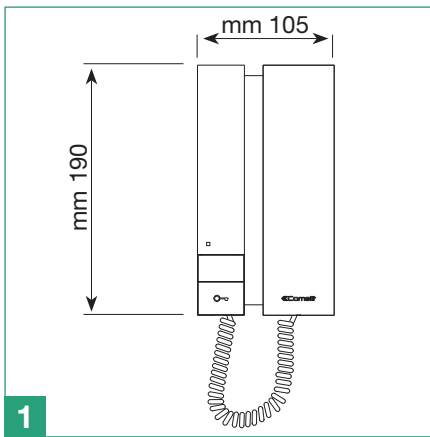
SETTINGS

Loudspeaker volume control	Yes
Ringtone volume control	Yes

TECHNICAL SPECIFICATIONS

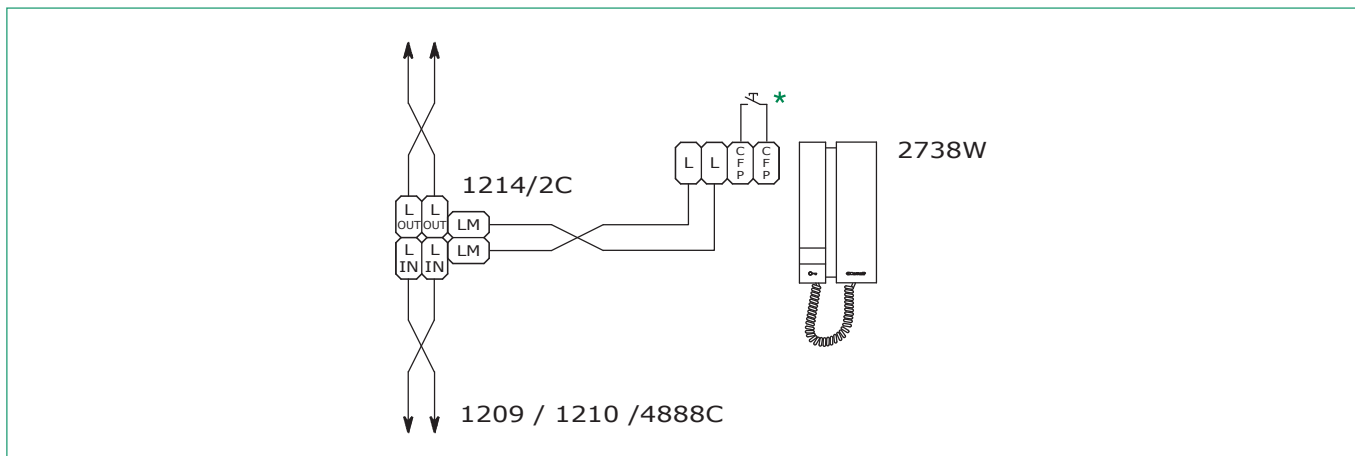
Supply voltage	22 ÷ 35 Vdc
Power consumption stand-by (mA)	0,5 ÷ 0,710
In called absorption (mA)	25 ÷ 30
In communication absorption (mA)	23 ÷ 30
Microphone	Ø 9,6 x 6,9 mm
Speaker	Ø 0,50 mm ; Max Input Power 0,5W
IP Rating	30
Operating temperature (°C)	-5 +40
Operating humidity (%)	25 - 75
Dimensions (L x H x D) mm	105 x 190 x 28
Product weight (Kg)	0,257
Clamps	L,L,CFP,CFP

Installation

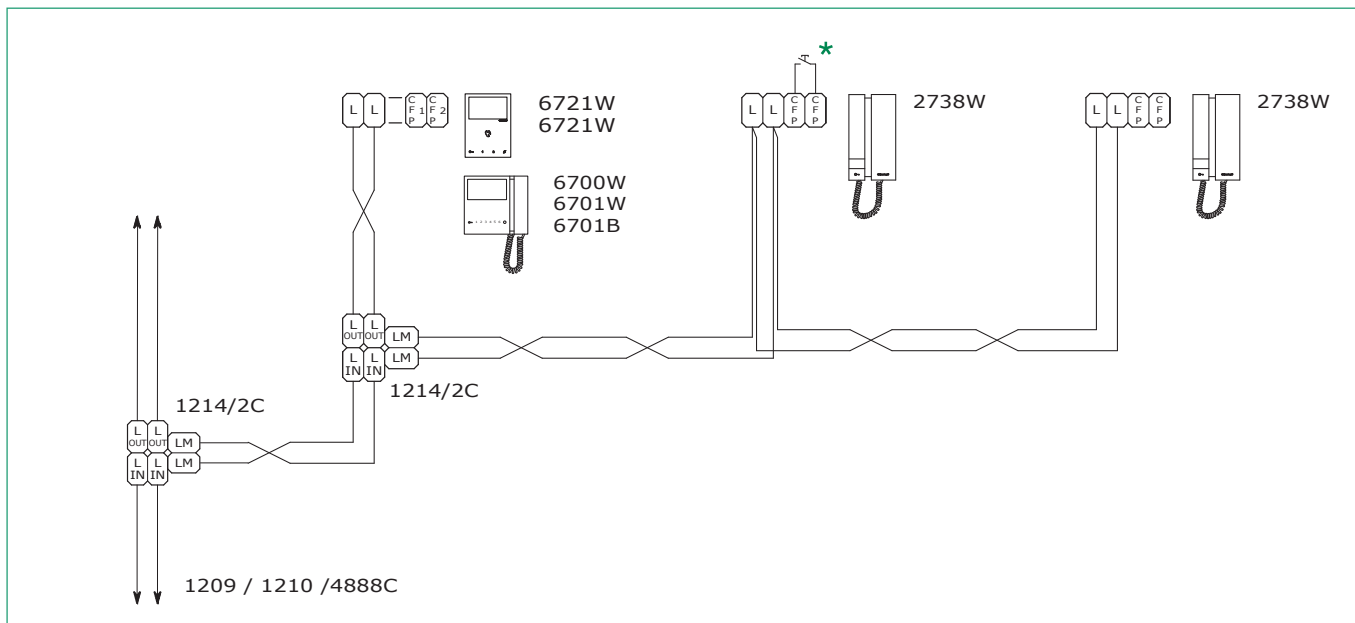


Connections

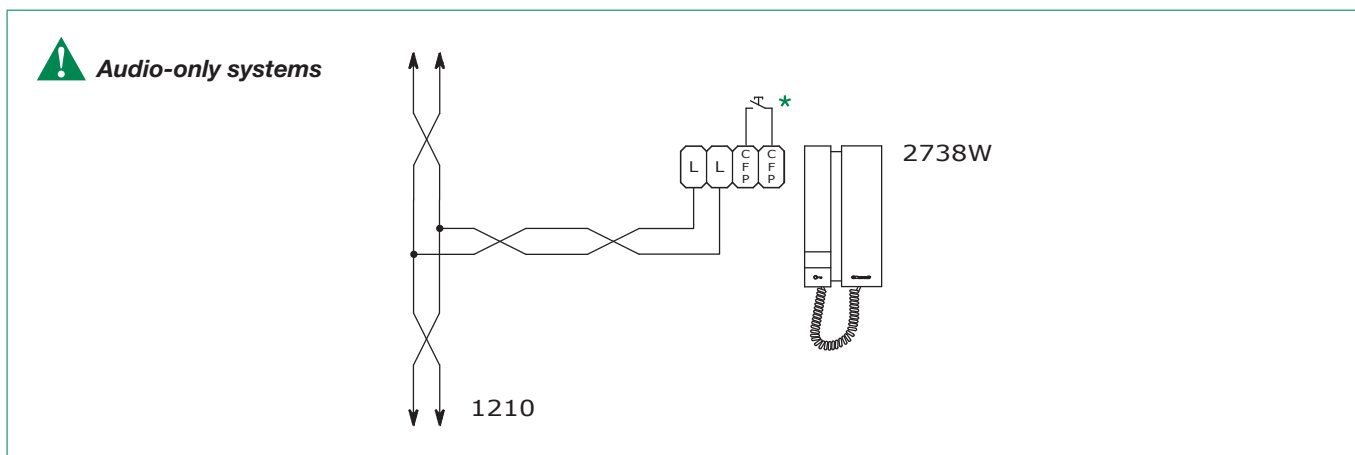
Connection to the video entry riser and the floor door call button



Branched connection to the video entry riser from the internal video unit



Connection to the door entry riser and the floor door call button



* **20 m MAX** - Use shielded cable for the connection and do not route the cables in the vicinity of heavy inductive loads or power supply cables (230V / 400V).

Where multiple door-entry phones or monitor backplates have the same user code, connect the CFP button on one only; all the devices will ring simultaneously.

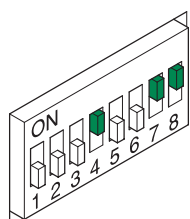
Programming

- Each door-entry phone in the system is identified by means of its own code. This code must be set using the Dip switch on the phone card.
- The user code must be set according to the corresponding information provided in the programming table.
- Coding can take place at any time, even without a power supply.

DIP-switch programming table

Codice	Dip switch ON	Codice	Dip switch ON	Codice	Dip switch ON	Codice	Dip switch ON	Codice	Dip switch ON	Codice	Dip switch ON	Codice	Dip switch ON	Codice	Dip switch ON
1	1	31	1,2,3,4,5	61	1,3,4,5,6	91	1,2,4,5,7	121	1,4,5,6,7	151	1,2,3,5,8	181	1,3,5,6,8	211	1,2,5,7,8
2	2	32	6	62	2,3,4,5,6	92	3,4,5,7	122	2,4,5,6,7	152	4,5,8	182	2,3,5,6,8	212	3,5,7,8
3	1,2	33	1,6	63	1,2,3,4,5,6	93	1,3,4,5,7	123	1,2,4,5,6,7	153	1,4,5,8	183	1,2,3,5,6,8	213	1,3,5,7,8
4	3	34	2,6	64	7	94	2,3,4,5,7	124	3,4,5,6,7	154	2,4,5,8	184	4,5,6,8	214	2,3,5,7,8
5	1,3	35	1,2,6	65	1,7	95	1,2,3,4,5,7	125	1,3,4,5,6,7	155	1,2,4,5,8	185	1,4,5,6,8	215	1,2,3,5,7,8
6	2,3	36	3,6	66	2,7	96	6,7	126	2,3,4,5,6,7	156	3,4,5,8	186	2,4,5,6,8	216	4,5,7,8
7	1,2,3	37	1,3,6	67	1,2,7	97	1,6,7	127	1,2,3,4,5,6,7	157	1,3,4,5,8	187	1,2,4,5,6,8	217	1,4,5,7,8
8	4	38	2,3,6	68	3,7	98	2,6,7	128	8	158	2,3,4,5,8	188	3,4,5,6,8	218	2,4,5,7,8
9	1,4	39	1,2,3,6	69	1,3,7	99	1,2,6,7	129	1,8	159	1,2,3,4,5,8	189	1,3,4,5,6,8	219	1,2,4,5,7,8
10	2,4	40	4,6	70	2,3,7	100	3,6,7	130	2,8	160	6,8	190	2,3,4,5,6,8	220	3,4,5,7,8
11	1,2,4	41	1,4,6	71	1,2,3,7	101	1,3,6,7	131	1,2,8	161	1,6,8	191	1,2,3,4,5,6,8	221	1,3,4,5,7,8
12	3,4	42	2,4,6	72	4,7	102	2,3,6,7	132	3,8	162	2,6,8	192	7,8	222	2,3,4,5,7,8
13	1,3,4	43	1,2,4,6	73	1,4,7	103	1,2,3,6,7	133	1,3,8	163	1,2,6,8	193	1,7,8	223	1,2,3,4,5,7,8
14	2,3,4	44	3,4,6	74	2,4,7	104	4,6,7	134	2,3,8	164	3,6,8	194	2,7,8	224	6,7,8
15	1,2,3,4	45	1,3,4,6	75	1,2,4,7	105	1,4,6,7	135	1,2,3,8	165	1,3,6,8	195	1,2,7,8	225	1,6,7,8
16	5	46	2,3,4,6	76	3,4,7	106	2,4,6,7	136	4,8	166	2,3,6,8	196	3,7,8	226	2,6,7,8
17	1,5	47	1,2,3,4,6	77	1,3,4,7	107	1,2,4,6,7	137	1,4,8	167	1,2,3,6,8	197	1,3,7,8	227	1,2,6,7,8
18	2,5	48	5,6	78	2,3,4,7	108	3,4,6,7	138	2,4,8	168	4,6,8	198	2,3,7,8	228	3,6,7,8
19	1,2,5	49	1,5,6	79	1,2,3,4,7	109	1,3,4,6,7	139	1,2,4,8	169	1,4,6,8	199	1,2,3,7,8	229	1,3,6,7,8
20	3,5	50	2,5,6	80	5,7	110	2,3,4,6,7	140	3,4,8	170	2,4,6,8	200	4,7,8	230	2,3,6,7,8
21	1,3,5	51	1,2,5,6	81	1,5,7	111	1,2,3,4,6,7	141	1,3,4,8	171	1,2,4,6,8	201	1,4,7,8	231	1,2,3,6,7,8
22	2,3,5	52	3,5,6	82	2,5,7	112	5,6,7	142	2,3,4,8	172	3,4,6,8	202	2,4,7,8	232	4,6,7,8
23	1,2,3,5	53	1,3,5,6	83	1,2,5,7	113	1,5,6,7	143	1,2,3,4,8	173	1,3,4,6,8	203	1,2,4,7,8	233	1,4,6,7,8
24	4,5	54	2,3,5,6	84	3,5,7	114	2,5,6,7	144	5,8	174	2,3,4,6,8	204	3,4,7,8	234	2,4,6,7,8
25	1,4,5	55	1,2,3,5,6	85	1,3,5,7	115	1,2,5,6,7	145	1,5,8	175	1,2,3,4,6,8	205	1,3,4,7,8	235	1,2,4,6,7,8
26	2,4,5	56	4,5,6	86	2,3,5,7	116	3,5,6,7	146	2,5,8	176	5,6,8	206	2,3,4,7,8	236	3,4,6,7,8
27	1,2,4,5	57	1,4,5,6	87	1,2,3,5,7	117	1,3,5,6,7	147	1,2,5,8	177	1,5,6,8	207	1,2,3,4,7,8	237	1,3,4,6,7,8
28	3,4,5	58	2,4,5,6	88	4,5,7	118	2,3,5,6,7	148	3,5,8	178	2,5,6,8	208	5,7,8	238	2,3,4,6,7,8
29	1,3,4,5	59	1,2,4,5,6	89	1,4,5,7	119	1,2,3,5,6,7	149	1,3,5,8	179	1,2,5,6,8	209	1,5,7,8	239	1,2,3,4,6,7,8
30	2,3,4,5	60	3,4,5,6	90	2,4,5,7	120	4,5,6,7	150	2,3,5,8	180	3,5,6,8	210	2,5,7,8	*240	5,6,7,8

EXAMPLE: DIP switch setting for code 200



CERTIFIED MANAGEMENT SYSTEMS



www.comelitgroup.com

Via Don Arrigoni, 5 - 24020 Rovetta (BG) - Italy

