

CHXES

Stainless Steel Camera Housing

CHXES
Stainless Steel Camera Housing
Stainless Steel housing AISI316L



DEVELOPED FOR AGGRESSIVE ENVIRONMENTS

Sturdy construction entirely made of AISI316L Stainless Steel

SUITABLE FOR HARSH ENVIRONMENT CONDITIONS

Double heater system for -40°C, defogging system, wiper are available

USER-FRIENDLY

Opening/closing system and camera/lens fixing are absolutely user-friendly

ADAPTORS AVAILABLE FOR ANY KIND OF INSTALLATION

Wall, ceiling, pole and corner mount adapters



tekno system[®]
Italian design for CCTV since 1979

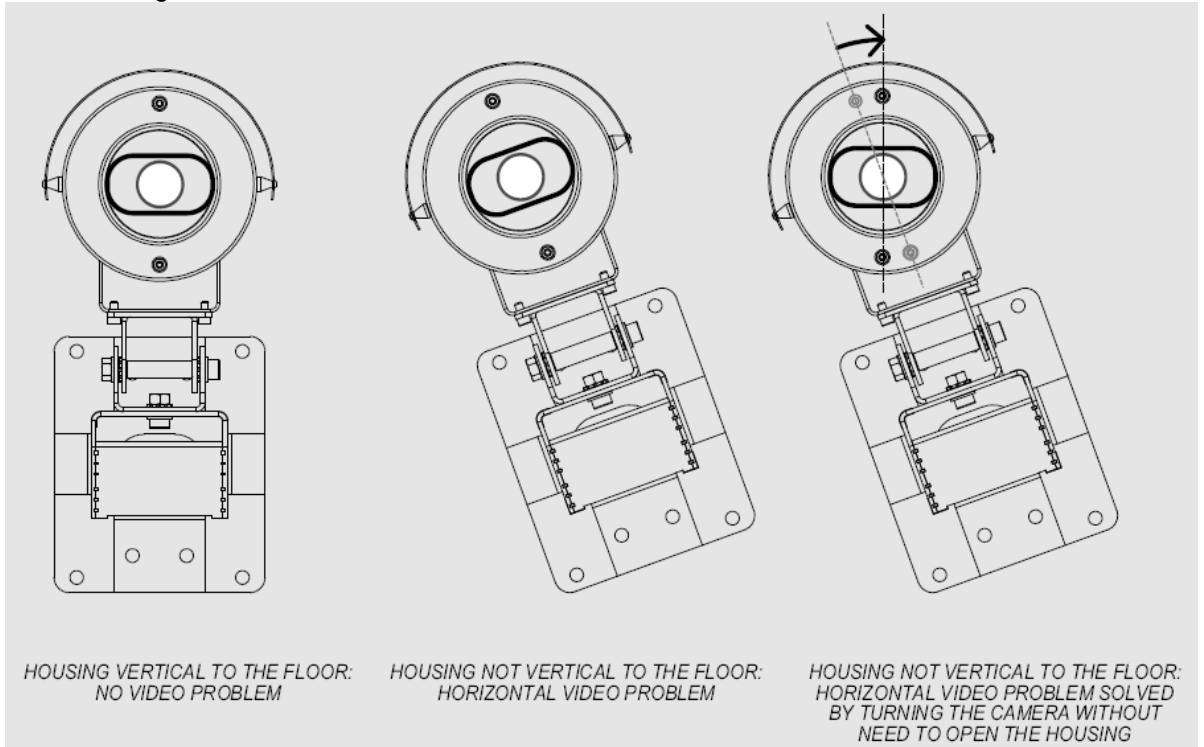
Tekno System S.p.A.
Via Rostoncello, 1 - 36010 Carrè – Italy
Phone: +39 0445 314324 | Fax: +39 0445 314319
Email: info@teknoystem.eu | Web: www.teknoystem.eu

rev. 040310

Page 1 / 8

TECHNOLOGY HIGHLIGHTS

- IP66
- Construction: Stainless steel AISI 316L
- Resourceful engineering design and high standard materials guarantee the total protection of the camera in the harshest environmental conditions.
- A new system has been developed to allow the change of the horizontal position of the camera: in this way the installer can easily solve the situations where pole or walls are not vertical to the floor as well as ceiling are not horizontal to the floor.



Standard 3 metal cable glands



Sealed IP Connector RJ45
For HiPoE MK II KIT (Optional)



Optional Defogging system



Optional Germanium window



Optional wiper







tekno system[®]
Italian design for CCTV since 1979

Tekno System S.p.A.
Via Rostoncello, 1 - 36010 Carrè - Italy
Phone: +39 0445 314324 | Fax: +39 0445 314319
Email: info@teknoystem.eu | Web: www.teknoystem.eu



rev. 040310

Page 2 / 8

ACCESSORIES

HT	Double heater with thermostat	<i>included</i>
EL	Camera height adjustment kit	
HiPoE MK II KIT	RJ45 sealed connector instead of cable glands and HiPoE internal splitter (24W) for Camera and accessories Available factory installed only	
PLUS	Dedicated PoE camera module for digital cameras that only allow PoE feed. (HiPoE MKII PLUS) Available factory installed only with the HiPoE MK II KIT	
Injector	Single Channel Hi-PoE Injector For the HiPoE MK II KIT (PLUS)	
ALWR	Wide Range power supply	
DF	Defogging system (available only factory installed)	
BWX	Wall bracket with swivel	
W	Wiper system (available only factory installed)	
VG	Germanium window for Thermal Cameras	
TANK	Water Tank with Pump for washing (5,10,25 liters)	<i>Coming Soon</i>

RELATED PRODUCTS

PAX	Stainless Steel Pole Adapter	
CMX	Stainless Steel Corner Mount Adapter	
CBX	Ceiling Mount Adapter	

CONFIGURATIONS

Versions / Accessories	HT Double heater	DF Defogging unit	EL Camera height adjustment kit	ALWR Wide Range Power Supply	G Germanium window	3 Metal cable gland	Sealed RJ45 female connector	HiPoE MK II PLUS	W Wiper	BWXHX Wall bracket with swivel
12/24V~	Standard	Optional(***)	Optional	Not available	Optional(**)	Standard	Optional	Not available	Optional(*)	Optional
100/230 V~	Standard	Optional(***)	Optional	Optional	Optional(**)	Standard	Optional	Not available	Optional(*)	Optional
HiPoE MK II	Standard	Optional(***)	Optional	Not available	Optional(**)	Optional	Standard	Optional	Optional	Optional

(*) The wiper need to be powered (12Vdc-200mA). The wiper is not available with Germanium window.

(**) Special adapter for NEC TS9230 /TS9260 thermal camera available on request.

(***) The defogging unit is not available with Germanium window.



tekno system[®]
Italian design for CCTV since 1979

Tekno System S.p.A.

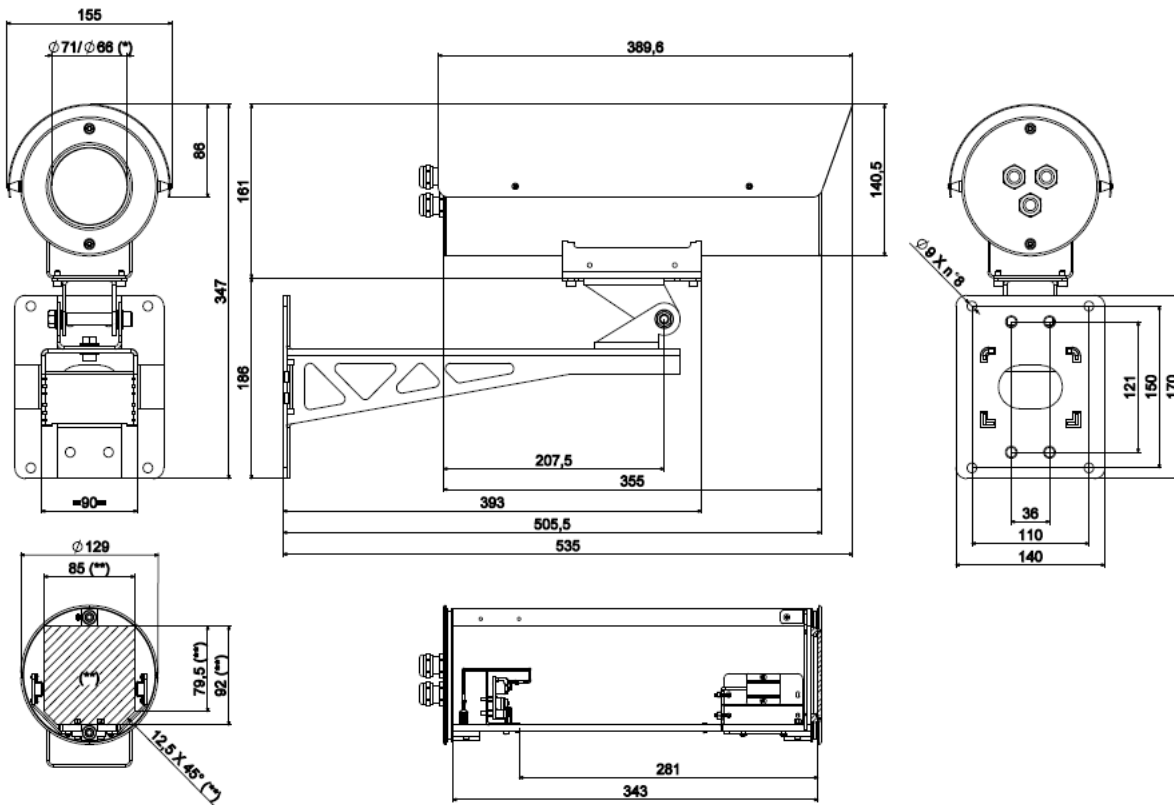
Via Rostoncello, 1 - 36010 Carrè – Italy

Phone: +39 0445 314324 | Fax: +39 0445 314319

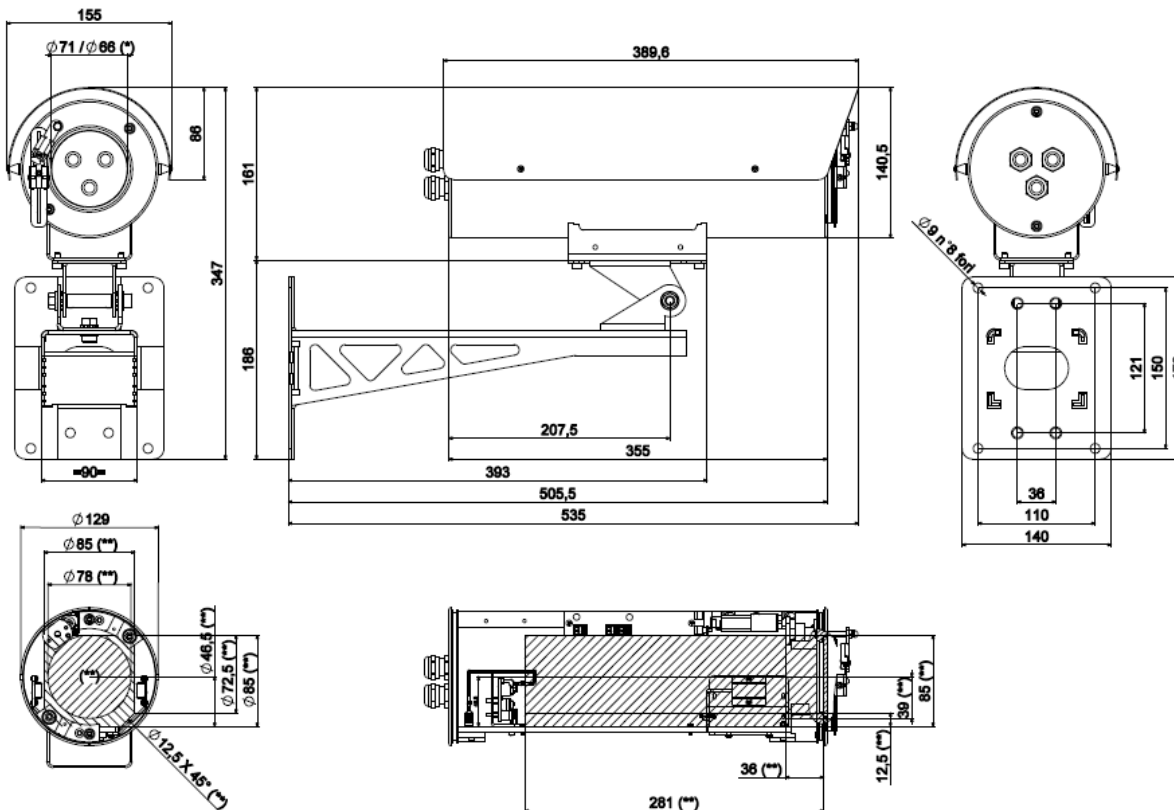
Email: info@teknoystem.eu | Web: www.teknoystem.eu

rev. 040310

Page 3 / 8

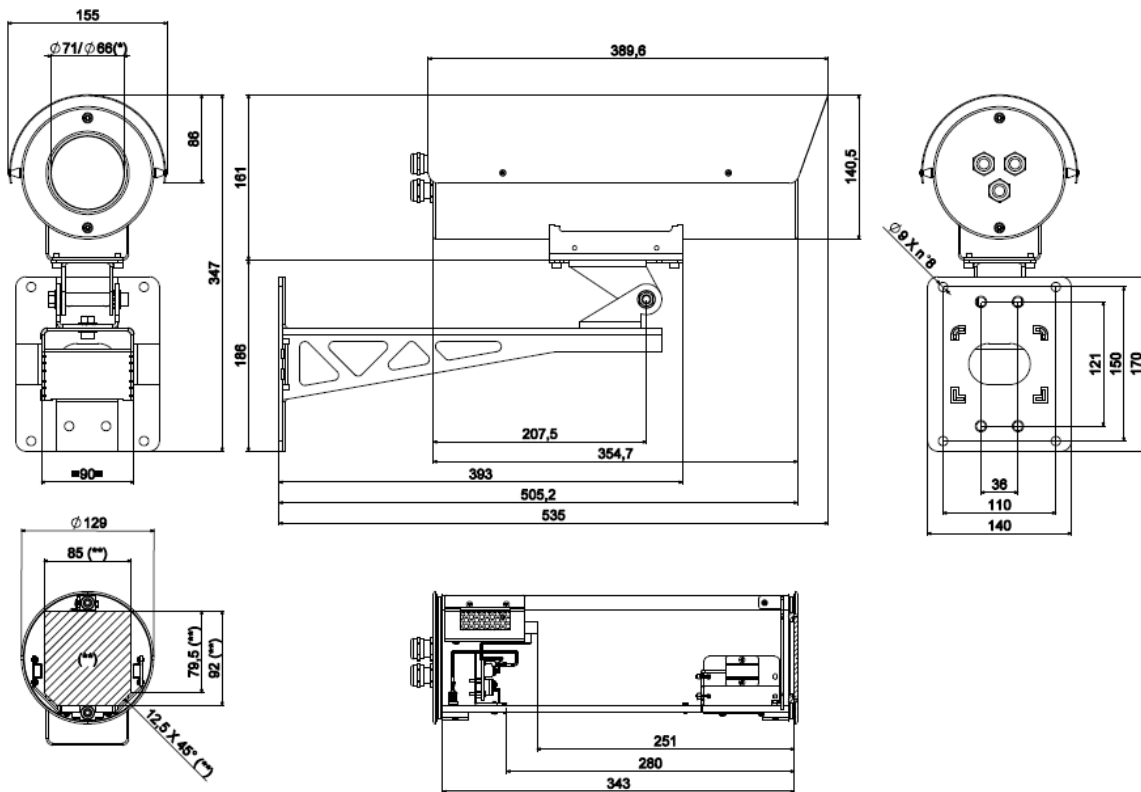


CAMERA HOUSING WITHOUT WIPER

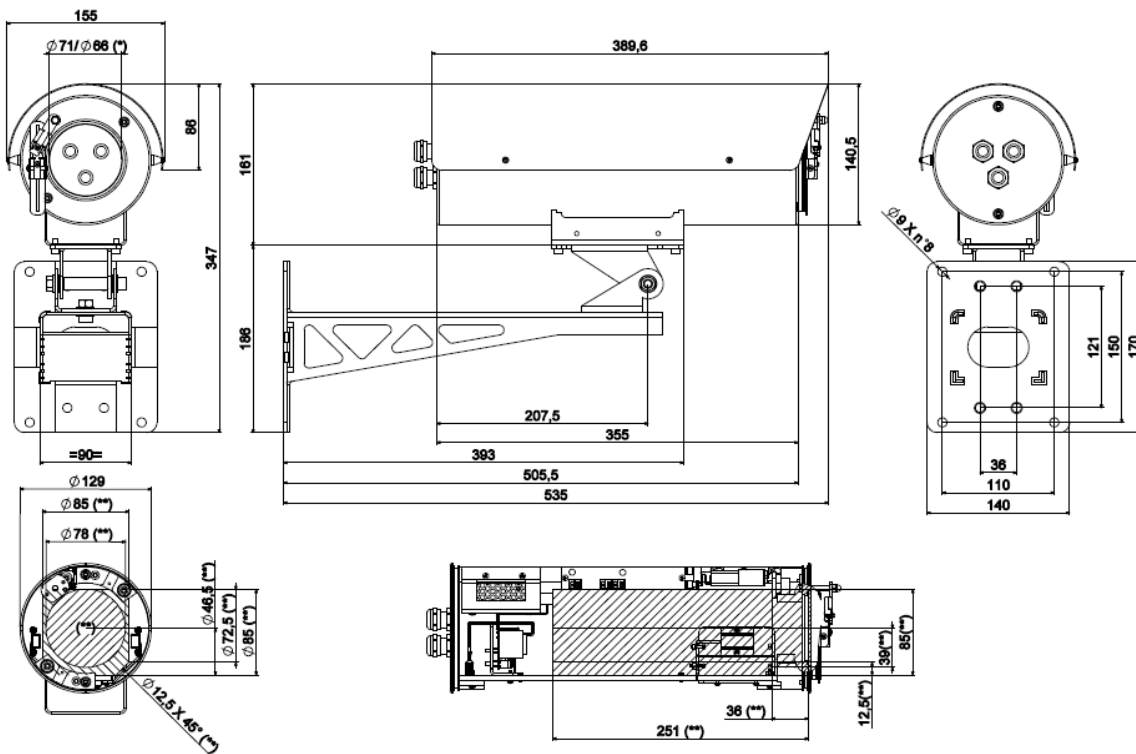


CAMERA HOUSING WITH WIPER

(*) Useful area with defogging unit (optional)
 (**) useful area



CAMERA HOUSING WITHOUT WIPER + WIDE RANGE POWER SUPPLY



CAMERA HOUSING WITH WIPER + WIDE RANGE POWER SUPPLY

(*) Useful area with defogging unit (optional)

(**) useful area

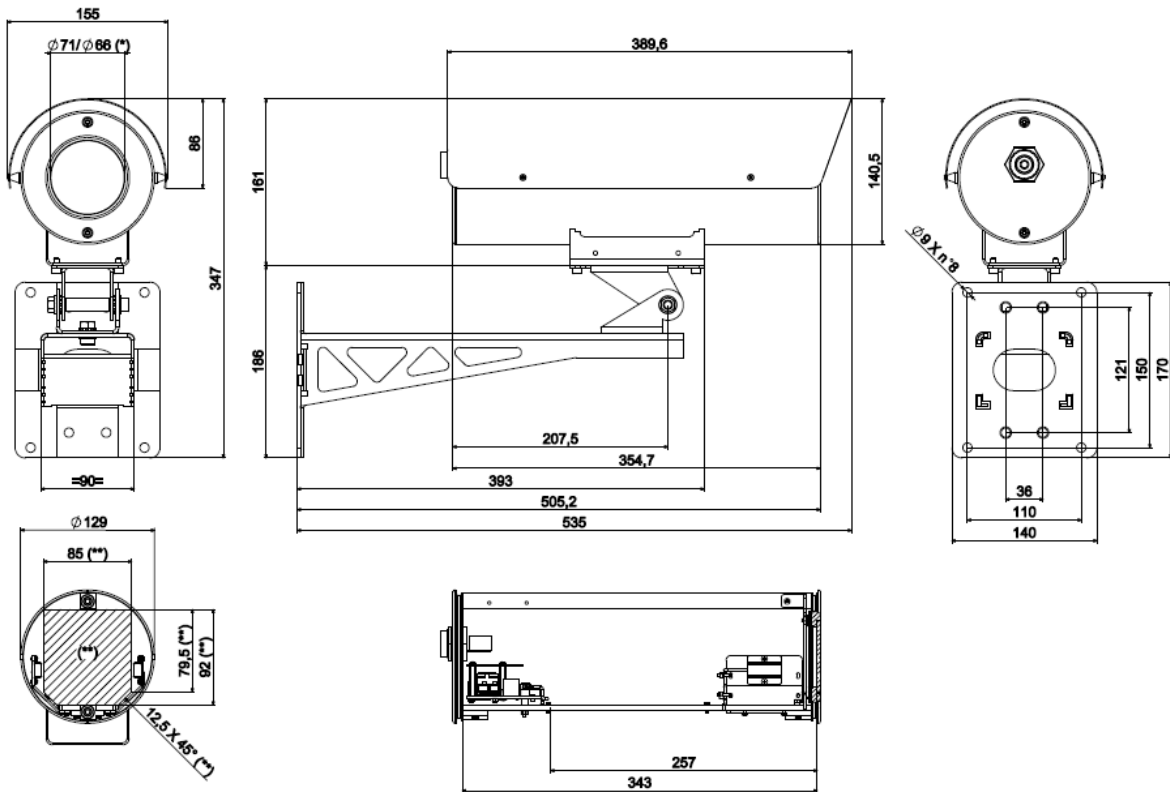


tekno system[®]
Italian design for CCTV since 1979

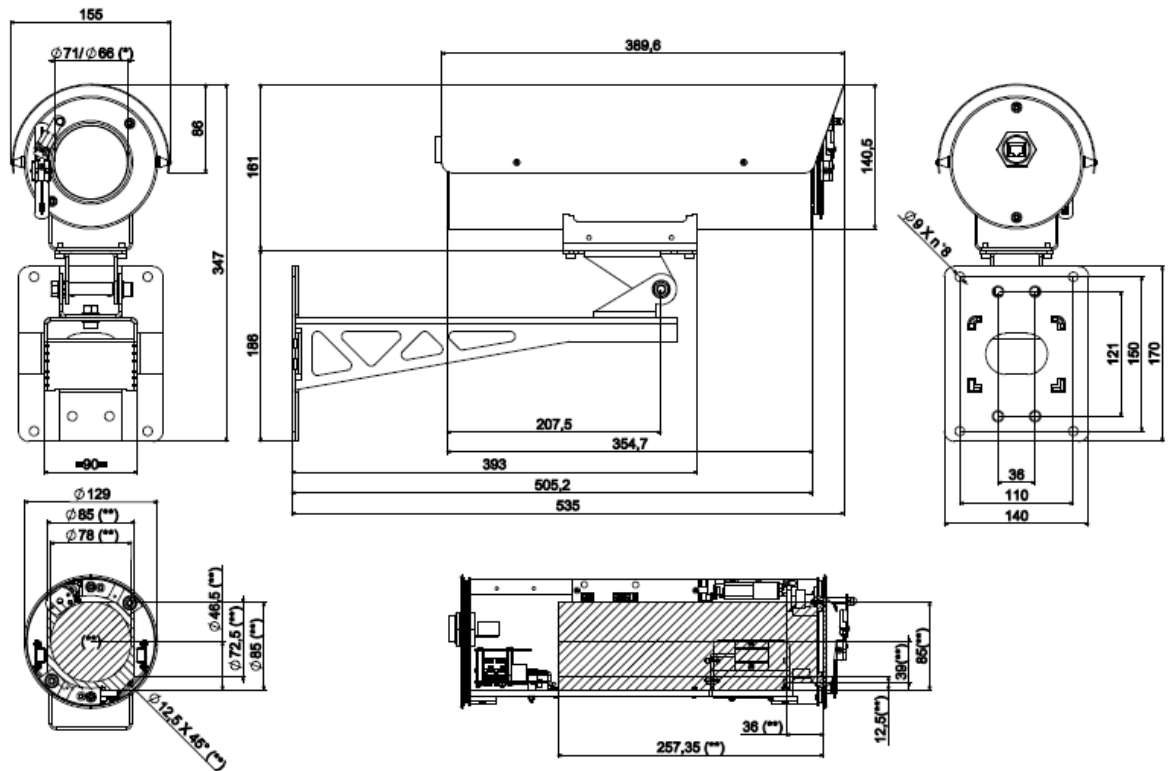
Tekno System S.p.A.
Via Rostoncello, 1 - 36010 Carrè - Italy
Phone: +39 0445 314324 | Fax: +39 0445 314319
Email: info@tekno-system.eu | Web: www.tekno-system.eu

rev. 040310

Page 5 / 8



HIPOE CAMERA HOUSING WITHOUT WIPER



HIPOE CAMERA HOUSING WITH WIPER
 (*) Useful area with defogging unit (optional)
 (**) useful area



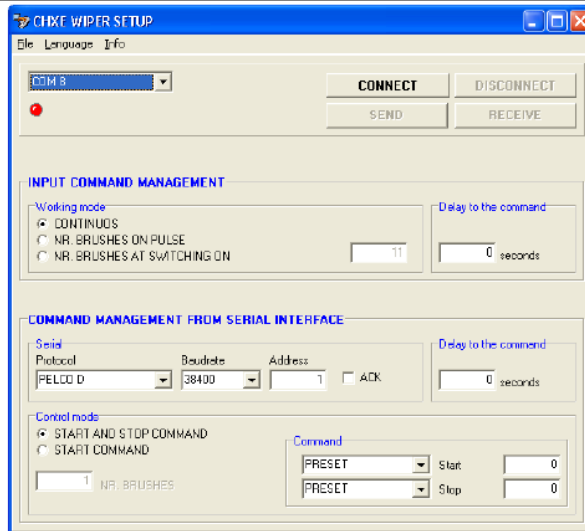
tekno system[®]
 Italian design for CCTV since 1979

Tekno System S.p.A.
 Via Rostoncello, 1 - 36010 Carrè - Italy
 Phone: +39 0445 314324 | Fax: +39 0445 314319
 Email: info@teknoystem.eu | Web: www.teknoystem.eu

rev. 040310

Page 6 / 8

SOFTWARE (INCLUDED WITH WIPER)

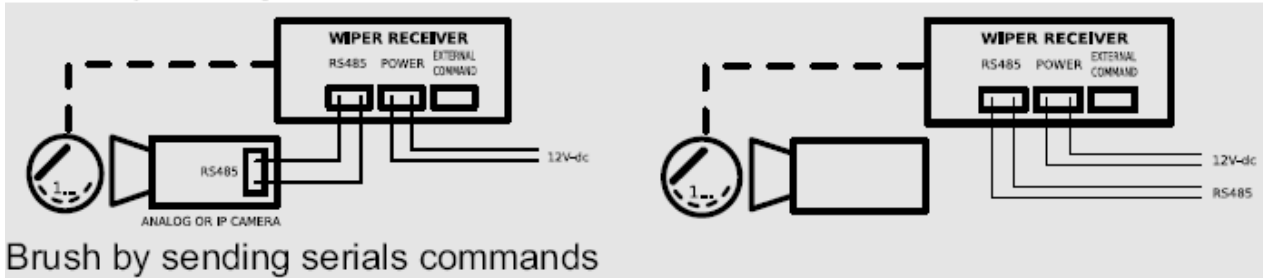
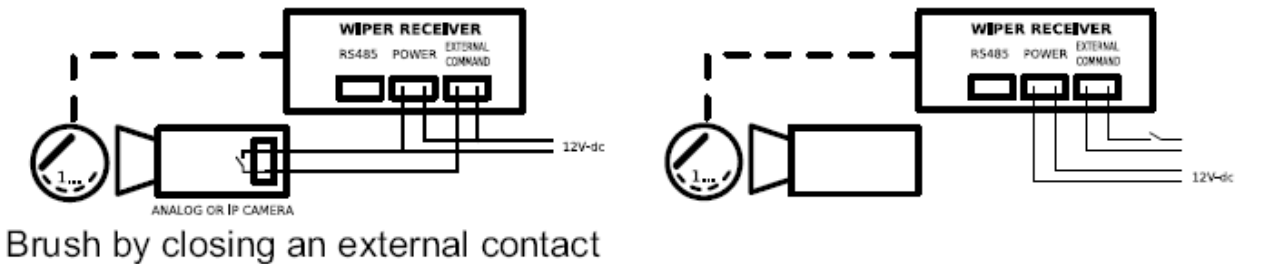
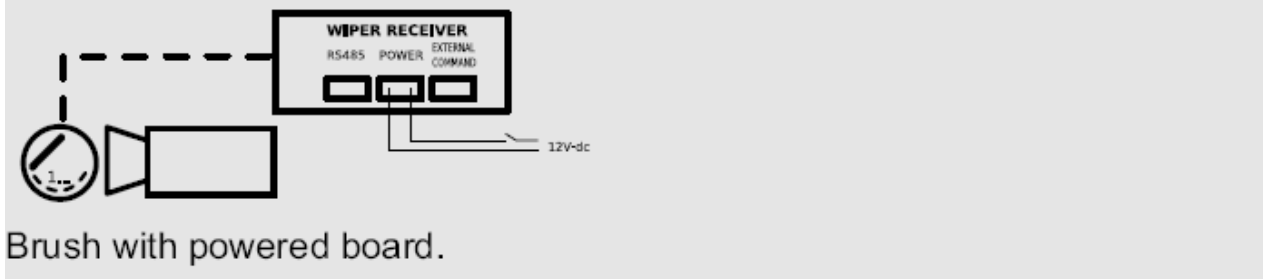


CHXES wiper setup

An easy multilanguage software allows the multiprotocols wiper set-up by using a USB-RS485 PC interface.

MULTIPROTOCOL WIPER RECEIVER (INCLUDED WITH WIPER)

The integrated receiver is able to manage a lot of different configurations.



tekno system[®]
Italian design for CCTV since 1979

Tekno System S.p.A.
Via Rostoncello, 1 - 36010 Carrè - Italy
Phone: +39 0445 314324 | Fax: +39 0445 314319
Email: info@teknoystem.eu | Web: www.teknoystem.eu

rev. 040310

Page 7 / 8

SPECIFICATIONS

General

Construction : Stainless steel AISI 316L

Window : Ø69mm tempered glass

Internal useful dimensions:

HiPoE MK II Version:

- Without Wiper – BxHxL: 85x92x257mm

- With Wiper - BxHxL: 85x85x257mm

Standard version (with 3 cable glands)

- Without Wiper – BxHxL: 85x92x281mm

- With Wiper - BxHxL: 85x85x281mm

Mechanical

Dimensions : Refer to technical drawings

Cable entry : No. 3 metal cable glands
M16x1,5 (standard)
or
No.1 Sealed RJ45 Connector
(HiPoE MK II version)

Punch Down Terminal
Fast connection
(HiPoE MK II version)

Weight of the housing : 6,00 Kg;

Weight of the accessories : 2,90 Kg (BWx wall bracket)

Electrical

Heater Thermostat: Ton 15°C (59°F) ± 5°C Toff 22°C (71.6°F) ± 4°C

(Standard):

Heater PTC (HT230): 100-240V~ 80W (-40°C) or 40W (-20°)

Heater PTC (HT12-24): 12-24V~ 40W (-40°C) or 20W (-20°C)

(HiPoE MK II):

Heater PTC (HT12-24): 12-24V~ 20W (-20°C) or 20W (-20°C)

Camera wide range power supply unit (ALWR):

Vin 230V~ 50Hz Vout 12VDC 2A;

Wiper (optional): with internal Multiprotocol Telemetry Receiver
Setup PC-software included

HiPoE MKII 12VDC 24W splitter with integrated heater and blower thermostats, compatible with:

- Microsemi/PowerDsine HiPoE Multi Port 7000 Midspan series (6, 12, 24 port version)
- Phihong High Power Gigabit PoE Midspan series
- Gigabit compatible

Meets New Proposed IEEE802.3at Specs

Warning:

- The camera housing is compatible only with camera with output selectable 12Vdc or 14,5Vdc voltage feeding
- The splitter Ethernet Output is not PoE

HiPoE MKII PLUS

- dedicated PoE injector IEEE 802.3af compliant built in for digital cameras that only allow PoE feed.
- the two terminal blocks marked +POWER- will be not used.

Environment

Indoor / Outdoor applications

Weatherproof rating
(according to EN60529) : IP 66

Temperature range with heater:

Standard : -40°C (-40°F) up to +50°C (+122°F)

HiPoE : -20°C (-7,6°F) up to +50°C (+122°F)

CE according to EN61000-6-3, EN60950, EN50130-4

RoHS compliant

Technical data and product features might be modified without any warning.



tekno system[®]
Italian design for CCTV since 1979

Tekno System S.p.A.

Via Rostoncello, 1 - 36010 Carrè – Italy

Phone: +39 0445 314324 | Fax: +39 0445 314319

Email: info@teknoystem.eu | Web: www.teknoystem.eu

rev. 040310

Page 8 / 8