



tekno system®

Photocell switch CR2

- IP66
- Day/Night camera switch control
- Power supply 230V~
- Maximum Switching Current 5A
- Temperature Range -20°C/+50°C
- Cable gland size for cable from & 5 to & 10 mm.
- Rubber grommet size for cable from & 4 to 7 mm.



The CR2 photocell switch uses a photoelectric cell to automate ON and OFF controls on electrical appliances, according to the luminosity of its location. The switch threshold has a potentiometer adjustment; during this adjustment, the LED will light up to indicate the alignment between environment luminosity at that moment and the luminosity threshold setting.

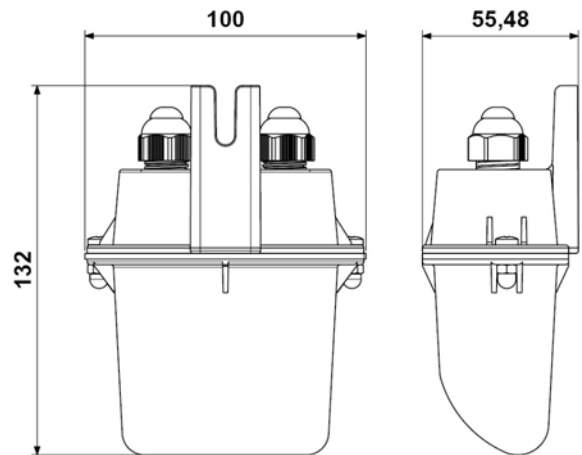
Another important issue is the possibility to control the day/night camera switch trigger (if your camera is provided with a compatible external trigger), performing the contemporaneous switching of the infrared illuminator.

So the CR2 switch optimizes the functionality of appliances like infrared illuminators, thereby substantially reducing energy consumption and increasing bulb life.

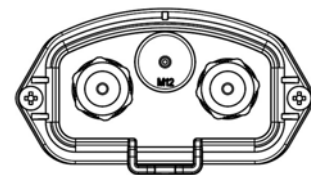
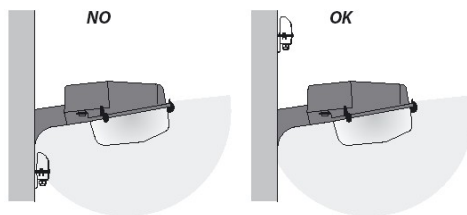
The high weatherproof rating (IP66), its easy installation, allow it to adapt perfectly to any situation.

TECHNICAL DATA

- Construction: polycarbonate
- IP weatherproof rating: 66 (EN 60529)
- Temperature range: -20° C / +50° C
- Reference standards: 72/23/EEC; 89/336/EEC
- Cable entry: no. 2 plastic cable glands
no. 1 rubber grommet
- Power Supply: 230 V~
- Max current on contacts: 5A
- Max power of operated appliances: 1200 W
- Switch-ON delay: 10 sec
- Switch-OFF delay: 240 sec
- Threshold setting range: from 2 to 200 lux
- ON-state signalling: by Led diode
- Weight: 0,17 Kg
- Supplied with photocell: installation/service manual



All dimensions are in millimeters



Data and specifications given as a guideline, Tekno System Spa reserves the right to make any changes without prior notice.