



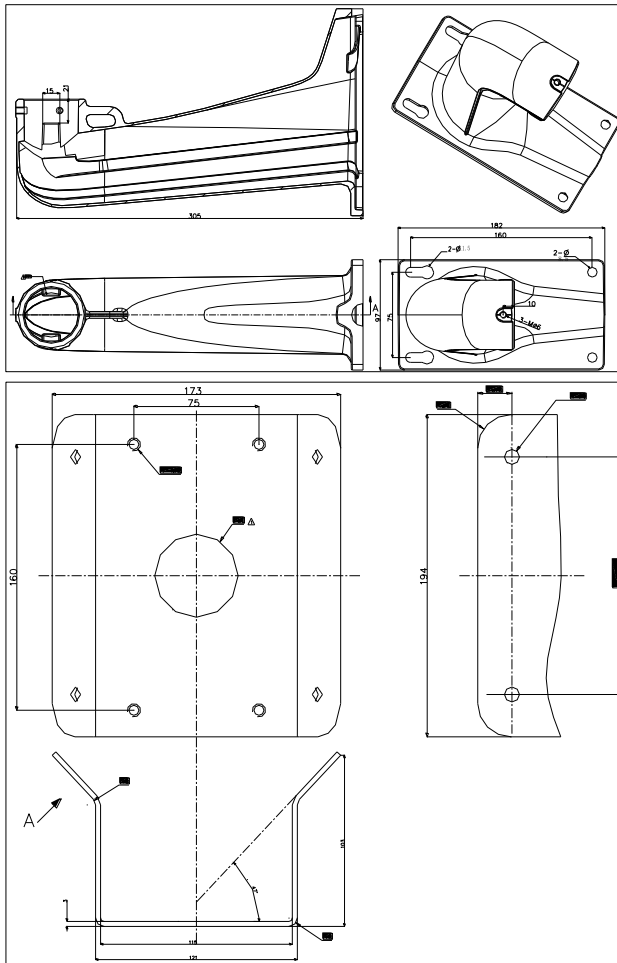
DS-1601ZJ-Corner

Long Arm Wall Corner Mount Bracket

Features:

- Aluminum alloy material with surface spray treatment
- Exquisite and small design
- Design of safety rope for more convenient installation

Dimension:



Note: The actual bracket may vary from the picture above.

Order model:

DS-1601ZJ-corner

Parameters:

Model	DS-1601ZJ-corner
Parameter	Wall Mount Bracket
Color	Hik white
Feature	Suitable for speed dome wall corner mounting
Material	Aluminum alloy
Dimension	173×194×305mm
Weight	2300g

Notice:

- The bracket should be installed on the flat surface of a wall
- The wall must be capable of supporting more than 3 times the total capacity of the camera and the bracket
- Load capacity of bracket is 30KG