

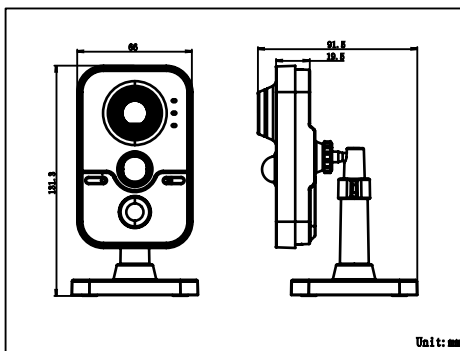
DS-2CD2412F-I (W) 1.3MP IR Cube Network Camera



Key features

- Up to 1.3 megapixel (1280 x 960) resolution
- HD real-time video
- PIR detection
- IR LEDs (up to 10m)
- DWDR & 3D DNR & BLC
- Built-in microphone & speaker
- SD/SDHC/SDXC card slot (up to 64GB)
- Wi-Fi optional (WPS connection)

Dimensions



| DS-2CD2412F-I (W) | |
|---|--|
| Camera | |
| Image sensor | 1/3" progressive scan CMOS |
| Min. illumination | 0.01 lux@F1.2, AGC on 0 lux with IR |
| Shutter time | 1/25s (1/30s) ~ 1/100,000s |
| Lens | 4mm@F2.0, angle of view: 73.1° (2.8mm, 6mm optional) |
| Lens mount | M12 |
| Day & night | ICR |
| Digital noise reduction | 3D DNR |
| Wide dynamic range | Digital WDR |
| Backlight compensation | Yes, zone configurable |
| Compression standard | |
| Video compression | H.264 / MJPEG |
| H.264 compression profile | Main profile |
| Bit rate | 32 Kbps ~ 16 Mbps |
| Audio compression | G.711 / G.726 |
| Audio bit rate | 64 Kbps (G.711) / 16 Kbps (G.726) |
| Image | |
| Max. image resolution | 1280 x 960 |
| Frame rate | 50Hz: 25fps (1280 x 960), 25fps (1280 x 720), 25fps (704 x 576), 25fps (640 x 480) 60Hz: 30fps (1280 x 960), 30fps (1280 x 720), 30fps (704 x 576), 30fps (640 x 480) |
| Image settings | Saturation, brightness, contrast adjustable through client software or web browser |
| Network | |
| Network storage | NAS (iSCSI optional) |
| Alarm trigger | PIR detection, motion detection, tampering alarm, network disconnect, IP address conflict, storage exception, storage error |
| Protocols | TCP/IP, ICMP, HTTP, HTTPS, FTP, DHCP, DNS, DDNS, RTP, RTSP, RTCP, PPPoE, NTP, UPnP, SMTP, SNMP, IGMP, 802.1X, QoS, IPv6, Bonjour (SIP optional) |
| System compatibility | ONVIF, PSIA, CGI |
| General functionalities | Flickerless, dual stream, heartbeat, mirror, user authentication, video mask, watermark |
| Interface | |
| Communication interface | 1 RJ45 10M / 100M ethernet port |
| Onboard storage | Built-in Micro SD/SDHC/SDXC card slot, up to 64 GB |
| Alarm I/O | 1/1 |
| Wi-Fi parameters (only for -W model) | |
| Wi-Fi standard | IEEE802.11b/g/n |
| Frequency range | 2.4 GHz ~ 2.4835 GHz |
| Communication bandwidth | Support 20/40 MHz |
| Security | 64/128-bit WEP, WPA/WPA2, WPA-PSK/WPA2-PSK, WPS |
| Transmission rate | 11b:11Mbps, 11g:54Mbps, 11n:135Mbps |
| General | |
| Operating conditions | -30°C ~ 60°C (-22°F ~ 140°F) humidity 95% or less (non-condensing) |
| Power supply | 12 VDC ± 10%, PoE (802.3af) |
| Power consumption | Max. 5W |
| PIR detection range | Max. 10m |
| PIR detection angle | 80° |
| IR range | Max. 10m |
| Dimensions (mm) | 66 x 70.6 x 139.1 (2.60" x 2.78" x 5.48") |
| Weight | 400g (0.88lbs) |

Available models

DS-2CD2412F-I, DS-2CD2412F-IW

* Product picture and technical specs subject to change without previous notice.
For further information, please contact our local sales representatives.