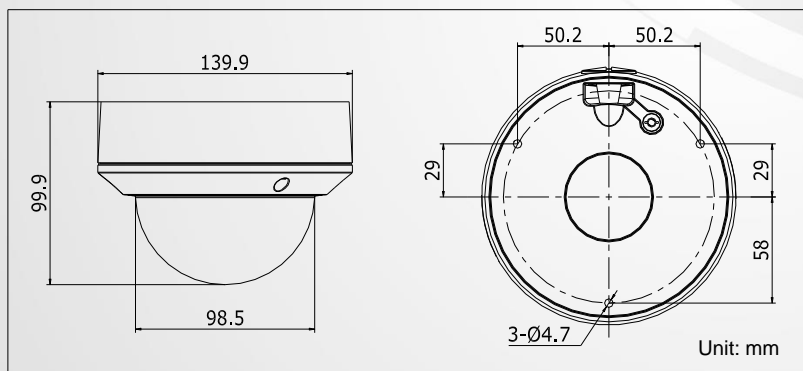


## DS-2CD2742FWD-I(Z)(S) 4MP WDR Vari-focal Dome Network Camera



- 1/3" Progressive Scan CMOS
- Up to 4 megapixel resolution
- 120dB WDR
- 3D DNR
- Motorized lens 2.8-12mm (-Z)
- Up to 30 meters IR range
- Built-in Micro SD/SDHC/SDXC card slot, up to 128 GB
- Audio/alarm I/O (-S)
- Mobile Monitoring via EZVIZ P2P or iVMS-4500
- 12V DC±25% & PoE(802.3af Class3)
- Support H.264+
- IP67
- IK10

### Accessories



DS-1227ZJ  
In-ceiling mount



DS-1273ZJ-135  
Wall mount



DS-1273ZJ-135B  
Wall mount with Junction box



DS-1280ZJ-DM21  
Junction box



# DS-2CD2742FWD-I(Z)(S) 4MP WDR Vari-focal Dome Network Camera



## Specification

### Camera

Image Sensor	1/3" Progressive Scan CMOS
Min. Illumination	0.01Lux @(F1.2,AGC ON), 0.014 Lux @(F1.4,AGC ON), 0 Lux with IR
Shutter Speed	1/3 s ~ 1/10,000 s
Slow Shutter	Support
Lens	2.8 - 12 mm @ F1.4, motorized lens (-Z), angle of view: 112°~33.8°
Angle Adjustment	Pan:0° - 355°, Tilt: 0° - 75°, Rotation: 0° - 355°
Lens Mount	Φ14
Day & Night	IR cut filter with auto switch
WDR	120dB

### Compression

Video Compression	H.264/MJPEG/H.264+
H.264 Type	Main Profile
Video Bit Rate	32 Kbps – 16 Mbps
Audio (-S)	G.711/G.722.1/G.726/MP2L2, 64Kbps(G.711) / 16Kbps(G.722.1) / 16Kbps(G.726) / 32-128Kbps(MP2L2)

### Image

Max. Resolution	2688×1520
Max Frame Rate	50Hz: Main stream: 20fps(2688×1520), 25fps(1920×1080), 25fps(1280×720), Sub stream: 25fps(352×288), 25fps(640×360) 60Hz: Main stream: 20fps(2688×1520), 30fps(1920×1080), 30fps(1280×720), Sub stream: 30fps(352×240), 30fps(640×360)
Enhancement	BLC/3D DNR/ROI
Image Setting	Rotate Mode, Saturation, Brightness, Contrast, Sharpness adjustable by client software or web browser
Day/Night Switch	Auto/Schedule/Triggered by Alarm In

### Network

Network Storage	NAS (Support NFS,SMB/CIFS); ANR, Built-in Micro SD/SDHC/SDXC card slot, up to 128 GB
Detection	Intrusion detection, Line crossing detection, Motion detection, Dynamic analysis
Alarm Trigger	Tampering alarm, Network disconnect, IP address conflict, Storage exception
Protocols	TCP/IP, UDP, ICMP, HTTP, HTTPS, FTP, DHCP, DNS, DDNS, RTP, RTSP, RTCP, PPPoE, NTP, UPnP, SMTP, SNMP, IGMP, 802.1X, QoS, IPv6, Bonjour
General Function	One-key reset, Anti-flicker, heartbeat, mirror, password protection, privacy mask, watermark, IP address filtering, anonymous access
Standard	ONVIF (PROFILE S, PROFILE G), PSIA, CGI, ISAPI

### General

Interface	1 RJ45 10M/100M Ethernet interface
Operating Conditions	-30 °C – 60 °C (-22 °F – 140 °F), Humidity 95% or less (non-condensing)
Power	12V DC±25%, PoE (802.3af, class 3); Max. 5.5 W
Material	Front Cover & Base: Metal
Ingress Protection	IP67
Impact Protection	IEC60068-275Eh, 20J; EN50102, up to IK10
IR Range	20~30 meters
Dimensions	Φ 140 × 99.9 mm (Φ 5.51" × 3.94")
Weight	1000g (2.20lbs)

### Order Model

DS-2CD2742FWD-I, DS-2CD2742FWD-IS, DS-2CD2742FWD-IZ, DS-2CD2742FWD-IZS