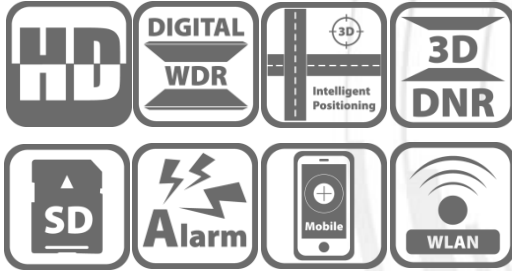


DS-2DE2103/2202-DE3/W 1MP/2MP Network Mini PTZ Dome Camera



This Micro-designed 2.5" PTZ Mini Dome Camera shows the easiest installation, adjustment and maintenance that you have ever seen. It is a fantastic and practical camera for indoor area such as the café, hotels, office lobbies and small shops etc. In addition, DS-2DE2103/2202-DE3/W support 2X/3X zoom technology, EZVIZ Cloud P2P function and PoE&12VDC power supply. Embedded with 1/3" progressive scan CMOS chip makes DWDR and 1.3MP/2MP real-time resolution possible. With the pan/tilt and 2X/3X zoom Day/Night lens, the camera offers more details in the indoor environments.

Hikvision DS-2DE2103/2202-DE3/W Mini PTZ Dome Cameras also features a wide range of functions, including intrusion detection, line crossing detection, motion detection and audio exception, benefitting users with great improvement on security efficiency, more importantly, with key events / objects being recorded for further forensic needs.

Key Features

- 1/3" Progressive Scan CMOS
- 1280 x 720/1920 x 1080
- 2X/3X Zoom
- DWDR
- Support WiFi
- 3D intelligent positioning function
- PoE(802.3af)
- Support EZVIZ cloud P2P
- Support plug & play



Function Description

Basic function

- High performance CMOS, up to 1280 x 720/1920 x 1080@30fps resolution
- $\pm 0.1^\circ$ Preset Accuracy
- ONVIF(Open Network Video Interface Forum), CGI(Common Gateway Interface), PSIA(Physical Security Interoperability Alliance), to ensure greater interoperability between different platforms and compatibility
- 3D intelligent positioning function
- Power-off memory function: restore PTZ & Lens status after reboot
- PoE(802.3af)
- Support WiFi
- Support EZVIZ cloud P2P

Functions

- Detections: intrusion detection, line crossing detection, audio exception detection, motion detection
- Recording: edge recording, support smart search in smart NVR
- Support low bit rate, ROI

Camera function

- Auto iris, auto focus, auto white balance, backlight compensation and auto day & night switch
- Min. Illumination: 0.05Lux@(F2.0,AGC ON)(Color), 0.01Lux@(F2.0,AGC ON)(B/W)
- Support 8 privacy masks

PTZ functions

- 0-350° pan range and 0°-90° tilt range
- 50°/s Pan Preset Speed and 40°/s Tilt Preset Speed
- 0.1°-50°/s Manual Pan Speed and 0.1°-40°/s Manual Tilt Speed
- 300 presets programmable

Network function

- Built-in Web server
- Micro SD card local storage, up to 128GB
- Support up to 8 NAS storage; Transmit the videos from SD card to the NAS after network resumed
- HTTPS encryption and IEEE 802.1x port-based network access control
- Support dual-stream;H.264/MJPEG video compression; Basic and advanced video configuration; Real time video at 720P/1080P
- Multiple network protocols supported: IPv4/IPv6, TCP/IP, HTTP, DHCP, DNS, DDNS, RTP, RTSP, PPPoE, SMTP, NTP, UPnP, SNMP, FTP, 802.1x, QoS, HTTPS
- 1 audio input and 1 audio output
- 1 alarm input and 1 alarm output, alarm linkage support preset, recording, relay output, upload center, etc

Specifications

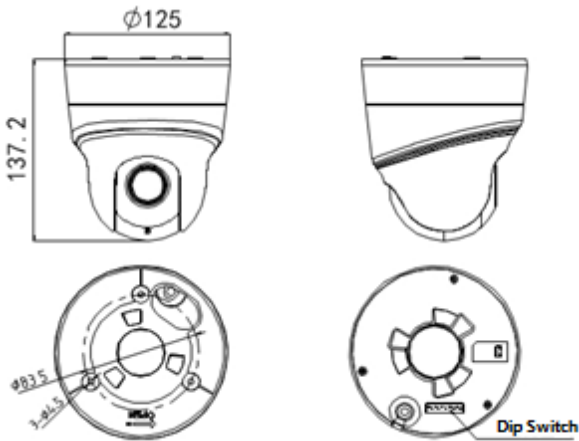
| Model | DS-2DE2103-DE3/W | DS-2DE2202-DE3/W |
|-----------------------|--|--------------------------|
| Camera | | |
| Image Sensor | 1/3" Progressive Scan CMOS | |
| Min. Illumination | F2.0, AGC On: Color:0.05 lux, B/W : 0.01 lux | |
| Max. Image Resolution | 1280(H) × 720(V) | 1920(H) x 1080(V) |
| Focal Length | 3.6~11mm, 3x | 3.6~8.6mm, 2x |
| Digital Zoom | 16X | |
| Zoom Speed | Approx.1s(Wide~Tele) | |
| Angle of View | 77~37 degree (Wide~Tele) | 77~50 degree (Wide~Tele) |
| Aperture Range | F2.0 | |
| Focus Mode | Auto / Semiautomatic / Manual | |
| DWDR | Support | |
| S / N Ratio | ≥ 52dB | |
| Shutter Time | 1/1~1/10,000s | |
| AGC | Auto / Manual | |
| White Balance | Auto / Manual /ATW/Indoor/Outdoor/Daylight lamp/Sodium lamp | |
| Day & Night | IR Cut Filter | |
| Privacy Mask | 8 privacy masks programmable | |
| Enhancement | 3D DNR, HLC/BLC | |
| Pan and Tilt | | |
| Range | Pan: 0~350°; Tilt: 0°~90° | |
| Speed | Pan Manual Speed: 0.1°~50°/s, Pan Preset Speed: 50°/s Tilt Manual Speed: 0.1°~40°/s, Tilt Preset Speed: 40°/s | |
| Number of Preset | 300 | |
| Park Action | Preset | |
| Scheduled Task | Preset /Reboot / Patrol/ Self test/ Aux output | |
| Features | | |
| Detection | Intrusion detection, line crossing detection, audio exception, motion detection | |
| ROI encoding | Support 4 areas with adjustable levels | |
| Alarm | | |
| Alarm I/O | 1/1 | |
| Alarm Trigger | Intrusion detection, Line crossing detection, Motion detection, Audio Exception Detection, Dynamic analysis, Tampering alarm, Network disconnect, IP address conflict, Storage exception | |
| Alarm Action | Preset, Recording, Relay output, Upload center, upload FTP, email linkage | |
| Input/Output | | |
| Audio Input | 1 built-in microphone; 1 audio input (Mic/Line in), 2~2.4V[p-p]; output impedance: 1KΩ, ±10% | |

| | | |
|----------------------------|---|--|
| Audio Output | 1 Audio output interface, line level, impedance: 600Ω | |
| Network | | |
| Ethernet | 10Base-T / 100Base-TX, RJ45 connector | |
| Main Stream | 50Hz: 25 fps (1280×720); 60Hz: 30 fps (1280×720) | 50Hz: 25 fps (1920×1080); 60Hz: 30 fps (1920×1080) |
| Sub Stream | 50Hz:25fps(704×576), 25fps(352×288), 25fps(320×240) 60Hz:30fps(704×480), 30fps(352×240), 30fps(320×240) | |
| Image Compression | H.264/ MJPEG | |
| Audio Compression | G.711ulaw/G.711alaw/G.726/MP2L2/G.722 | |
| Protocols | IPv4/IPv6, HTTP, HTTPS, 802.1X, QoS, FTP, SMTP, UPnP, SNMP, DNS, DDNS, NTP, RTSP, RTP, TCP, UDP,IGMP, ICMP, DHCP, PPPoE | |
| Simultaneous Live View | Up to 20 users | |
| Mini SD Memory Card | Support up to 128GB Micro SD/SDHC/SDXC card. Support Edge recording | |
| User/Host Level | Up to 32 users,3 Levels: Administrator, Operator and User | |
| Security Measures | User authentication (ID and PW); Host authentication (MAC address); IP address filtering | |
| Wi-Fi Specification | | |
| Wireless Standards | IEEE802.11b, 802.11g, 802.11n | |
| Frequency Range | 2.4 GHz ~ 2.4835 GHz | |
| Channel Bandwidth | 20/40MHz Support | |
| Protocols | 802.11b: CCK, QPSK, BPSK; 802.11g/n: OFDM | |
| Security | 64/128-bit WEP, WPA/WPA2, WPA-PSK/WPA2-PSK, WPS | |
| Transmit Output Power | 11b: 17±1.5dBm @ 11Mbps 11g: 14±1.5dBm @ 54Mbps 11n: 12.5±1.5dBm | |
| Receive Sensitivity | 11b: -90dBm @ 11Mbps (Typical) 11g: -75dBm @ 54Mbps (Typical) 11n: -74dBm (Typical) | |
| Transfer Rates | 11b: 11Mbps 11g: 54Mbps 11n: up to 150Mbps | |
| Wireless Range | 50m(depend on environment) | |
| Wireless Standards | IEEE802.11b, 802.11g, 802.11n | |
| System Integration | | |
| Application programming | Open-ended API, support Onvif, PSIA, CGI and Genetec ; Support EZVIZ cloud P2P | |
| Web Browser | IE 7+, Chrome 18 +, Firefox 5.0 +, Safari 5.02 + | |
| Power | POE&12 VDC, Max. 6W | |
| Working Temperature | -10℃~50℃(14°F~122°F)(indoor dome) | |
| Humidity | 90% or less | |
| Protection Level | IP54, TVS 4,000V lightning protection, surge protection and voltage transient protection | |
| Certification | FCC, CE, UL, RoHS, IEC/EN 61000, IEC/EN 55022, IEC/EN 55024, IEC /EN60950-1 | |
| Dimensions | Φ 120×83.7mm | |
| Weight (approx.) | 340g | |
| Mount Option | Wall mount: DS-1294ZJ | |

Order Models

DS-2DE2103-DE3/W; DS-2DE2202-DE3/W

Dimension



Accessories



DS-1294ZJ
Wall Mount



DS-1100KI
Network Keyboard



DS-1005KI
USB Joy-stick

Distributed by



Headquarters

No.555 Qianmo Road, Binjiang District,
Hangzhou 310051, China
T +86-571-8807-5998
overseasbusiness@hikvision.com

Hikvision Poland
T +48-22-460-01-50
poland@hikvision.com

Hikvision USA
T +1-909-895-0400
sales.usa@hikvision.com

Hikvision India
T +91-22-28469900
sales@pramahikvision.com

Hikvision UK
T +44-1628-9021-4
support.uk@hikvision.com

Hikvision Europe
T +31-23-5542770
saleseuro@hikvision.com

Hikvision Italy
T +39-0438-6902
info.it@hikvision.com

Hikvision Singapore
T +65-6684-4718
sg@hikvision.com

Hikvision Middle East
T +971-4-8816086
salesme@hikvision.com

Hikvision France
T +33(0)1-85-330-444
info.fr@hikvision.com

Hikvision Oceania
T +61-2-8599-4233
salesau@hikvision.com

Hikvision Russia
T +7-495-669-67-99
saleru@hikvision.com

Hikvision Spain
T +34-91-737-16-55
info.es@hikvision.com

Hikvision Hong Kong
T +852-2151-1761