

# emotion

**CAMERA MODULE**



**Aisi 316L Stainless Steel body**  
**Pan/Tilt unit with integrated receiver**  
**Continuous rotation**  
**IP66**  
**Variable speed from 0.01 ° to 200 °/s**  
**Onscreen display configuration**  
**Multiprotocol**  
**DAY/NIGHT SONY CAMERA MODULE 36X PAL**

Emotion is the new series of PTZ devices particularly sturdy and dedicated to video surveillance for indoor and outdoor applications especially where the specify resistance to corrosion guaranteed by stainless steel is required.

The unit is easy to install, versatile and customizable

Emotion Camera Module hosts a DAY/NIGHT SONY CAMERA MODULE 36X PAL

Continuous PAN and TILT rotations

Positioning is extremely quick thanks to the speed that can reach 200 %/sec on both axis

The unit works with mechanical solutions that do not require maintenance



**tekno system**<sup>®</sup>  
 Italian design for CCTV since 1979

**Tekno System S.p.A.**

Via Rostoncello, 1 - 36010 Carrè - Italy

Phone: +39 0445 314324 | Fax: +39 0445 314319

Email: [info@teknoystem.eu](mailto:info@teknoystem.eu) | Web: [www.teknoystem.eu](http://www.teknoystem.eu)

rev. 160311

Page 1 / 6

**MECHANICAL FEATURES**

Entirely made of stainless steel Aisi316L
Top mount
Tooth belt transmission
Slip-ring
Zero backlash
Horizontal continuous rotation
Vertical continuous rotation
Electronic limit switches
Pan and tilt speed from 0.01 ° up to 200 °/s(*)
Angular acceleration 250 °/s <sup>2</sup> – 1000 °/s <sup>2</sup>
Position repeat accuracy +/-0.01 °
Inner dimensions (see drawings)
Useful window (see drawing)
User friendly installation
4 cable glands M16
(*) related to model/version and to the load weight

**ELECTRICAL FEATURES  
CONSUMPTION**

24Vac, 50/60Hz 120W 5A
120Vac, 50/60Hz 120W 1A
230Vac, 50/60Hz 120W 0,5A

**CAMERA MODULE**

SONY DAY/NIGHT CAMERA MODULE 36X PAL
Camera protection in case of system switching on with uncorrect temperature

**VIDEO**

Up to 2 video lines (1V, 75Ω)
-------------------------------

**SERIAL INTERFACES**

Two serial ports RS485
<i>Every serial port may handle up to 4095 addresses depending on the protocol utilized</i>

**FIELD INTERFACE**

nr.4 alarm input (10-35V)
nr.4 open collector output

**SOFTWARE**

Software for system configuration, languages configuration, upgrade through serial RS485 in remote modality
---

**MAIN FUNCTIONS  
SYSTEM**

Multilanguages OSD configuration. Up to 5 languages to be customized by the customer.
250 Preset (related to protocol)
23 characters available for title
Patrol sequencies and random
Automatic recall on event

**TELEMETRY PROTOCOLS**

Pelco D, American Dynamics, Panasonic
<i>Trademark are registered and belong to their owners.</i>
<i>Other protocols under request</i>

**CAMERA PROTOCOLS**

VISCA (Sony)
<i>Trademark are registered and belong to their owners.</i>
<i>Other protocols under request</i>

**ENVIRONMENT**

For indoor and outdoor applications
Temperature range: -40 °C/+50 °C
Defogging System

**CERTIFICATES**

CEI EN60950-1, EN61000-6-3 e EN50130-4
FCC part 15, class B
IP66 EN60529

**DIMENSIONS**

Weight: 27kg
Box weight: 30kg
Box dimensions: 723x433x330mm

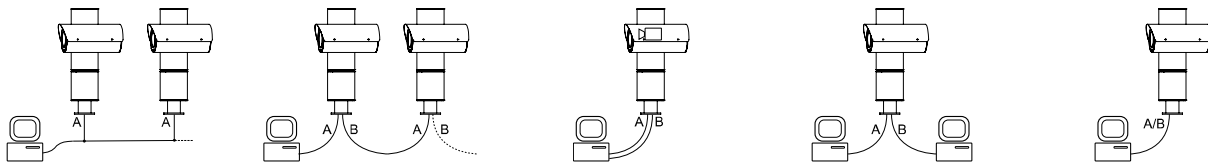
*EMOTION can be interfaced with devices not made by Tekno System.*

*Due to the continuous evaluation of the communication protocols it is compulsory to make the checking test to verify the compatibility of them with the Emotion before installation Tekno System will not be responsabile in any case of damages or costs due to eventual compatibility problems*

**DAY/NIGHT SONY CAMERA MODULE 36X PAL**

Image sensor:	1/4-type EXview HAD CCD
Signal system:	PAL
Number of total pixels:	Approx. 440,000 pixels
Lens:	36x optical zoom, f=3.4 mm (wide) to 122.4 mm (tele), F1.6 to F4.5
Angle of view (H):	57.8° (wide end) to 1.7° (tele end)
Minimum illumination:	1/60 s mode: 1.4 lx (typical) (F1.6, 50 IRE) 1/4 s mode: 0.1 lx (typical) (F1.6, 50 IRE)
S/N ratio:	More than 50 dB
Electronic shutter:	1/1 to 1/10,000 s, 22 steps
AE control:	Auto, Manual, Priority mode, Bright, EV compensation, Backlight compensation, Slow AE
Backlight compensation:	On / Off
Privacy zone masking:	On / Off (24 positions) <i>under development</i>
Focusing system:	Auto (Sensitivity: normal, low), One-push AF, Manual, Infinity, Interval AF, Zoom trigger AF
Camera operation switch:	Zoom tele, Zoom wide
Video output:	VBS: 1.0 Vp-p (sync negative)

*Trademark are registered and belong to their owners.*

**SERIAL CONNECTIONS**

RS485  
- Monodirectional  
- Half/Duplex

RS485  
- Monodirectional  
- Half/Duplex

2 RS485  
- Monodirectional  
- Half/Duplex

RS485  
- Monodirectional  
- Half/Duplex

RS422

Daisy chain connection  
up to 1,2km for each  
connection

Direct connection to  
camera (optional)

With 2 different  
protocols

*Every configuration may handle up to 4095 addresses depending on the protocol utilized*



**tekno system**<sup>®</sup>  
Italian design for CCTV since 1979

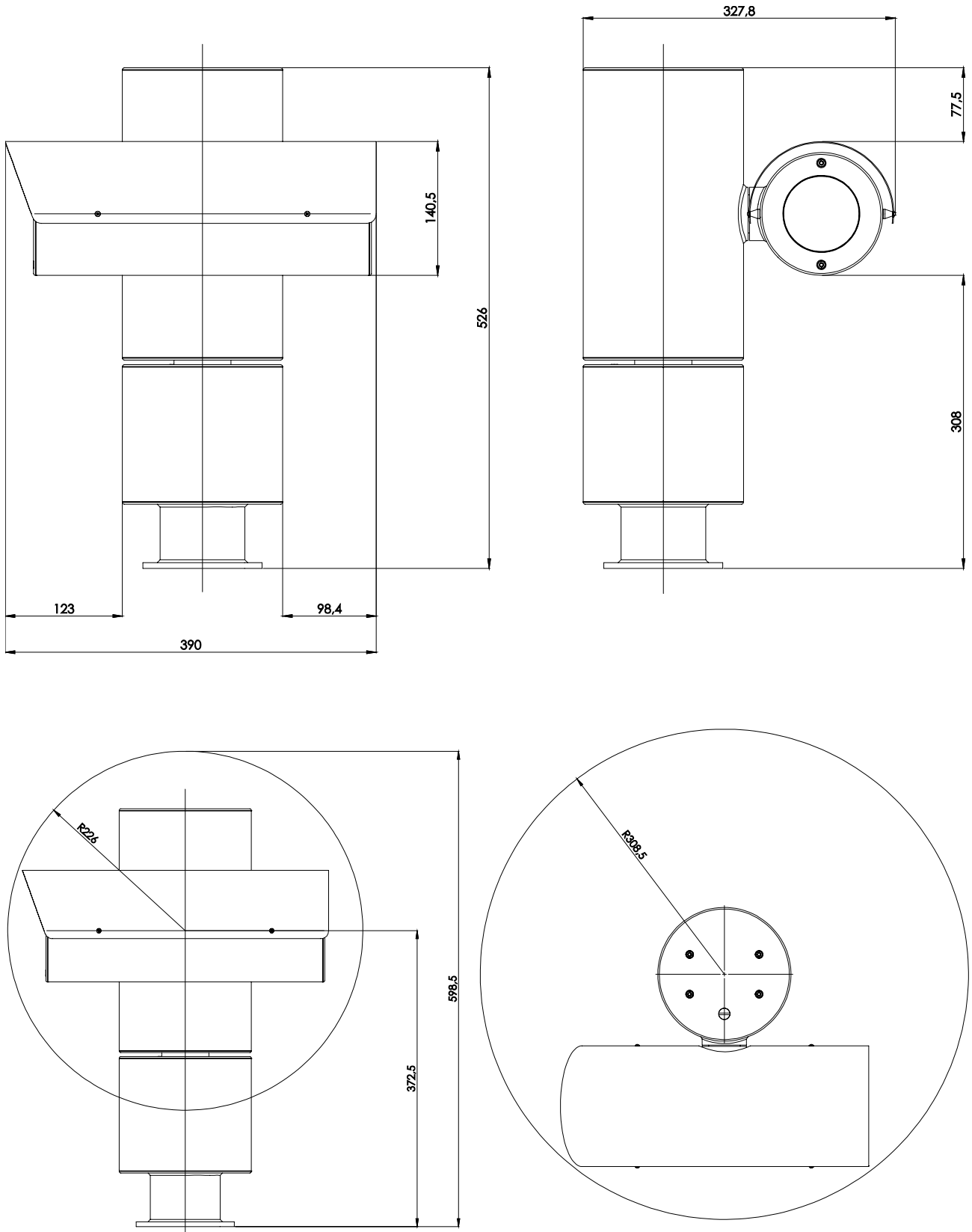
Tekno System S.p.A.

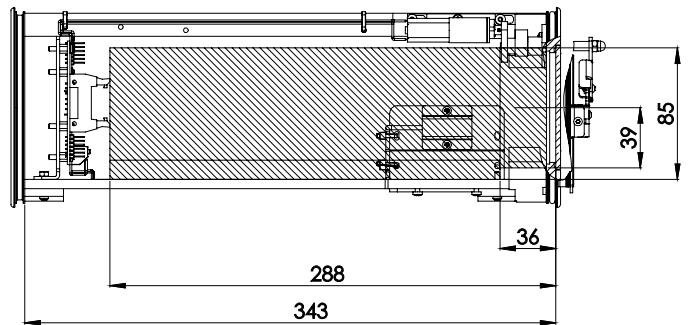
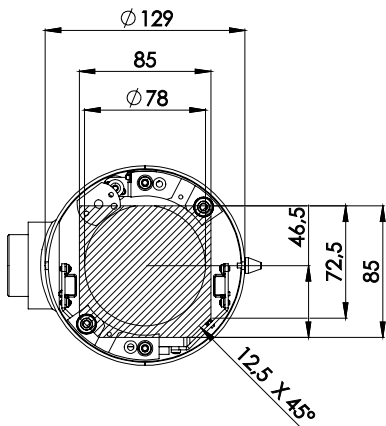
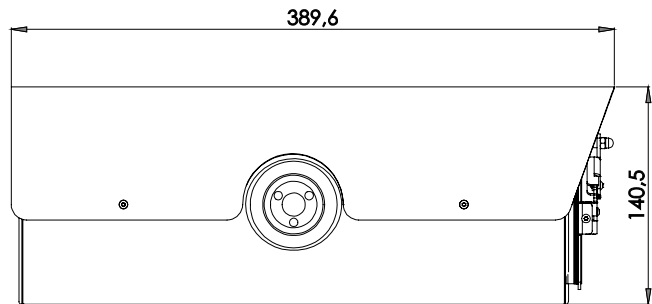
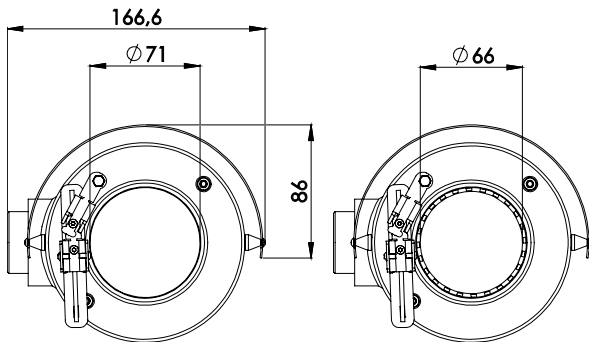
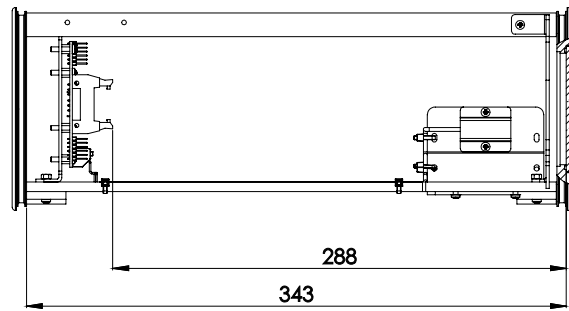
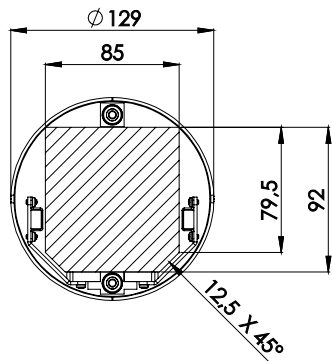
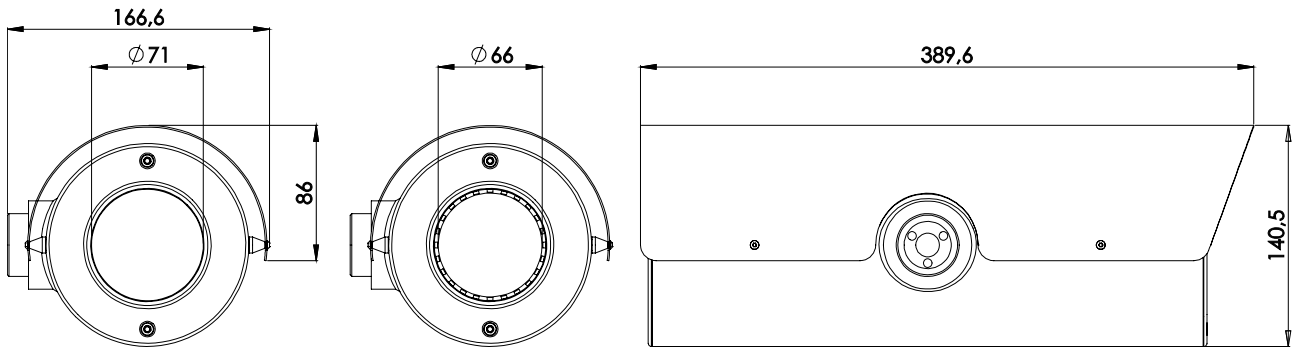
Via Rostoncello, 1 - 36010 Carrè - Italy  
Phone: +39 0445 314324 | Fax: +39 0445 314319  
Email: [info@teknoystem.eu](mailto:info@teknoystem.eu) | Web: [www.teknoystem.eu](http://www.teknoystem.eu)

rev. 160311



Page 3 / 6


Dimensional drawings







MODELS	
EMOTION CAMERA MODULE 24VAC	Stainless steel Aisi316L integrated positioning unit, feeding voltage 24Vac, block module camera Sony, zoom 36X PAL - Day/Night
EMOTION CAMERA MODULE 230VAC	Stainless steel Aisi316L integrated positioning unit, feeding voltage 230Vac, block module camera Sony, zoom 36X PAL - Day/Night
EMOTION CAMERA MODULE 24VAC WIPER	Stainless steel Aisi316L integrated positioning unit, feeding voltage 24Vac, wiper, block module camera Sony, zoom 36X PAL - Day/Night
EMOTION CAMERA MODULE 230VAC WIPER	Stainless steel Aisi316L integrated positioning unit, feeding voltage 230Vac, wiper, block module camera Sony, zoom 36X PAL - Day/Night

ACCESSORIES		
BWE	AISI316L Stainless Steel Wall Bracket for Emotion	
CME	AISI316L Stainless Steel Corner Adapter for Emotion	

RELATED PRODUCTS		
TSK1	Multiprotocol Control Keyboard LCD graphic display 3 serial ports RS485 Proportional 3 axis joystick (PTZ) Jog.shuttle Numeric keypad (12 keys) Multi-function keypad (10 keys)	

WATER TANK AND PUMP <i>(for Emotion with Wiper)</i>		
TAP 5LX5M	5 Liters Water tank with 5 meters prevalence pump	
TAP 5LX5M WT	5 Liters Water tank with 5 meters prevalence pump and telemetry receiver	
TAP 25LX20M	25 Liters Water tank with 20 meters prevalence pump	
TAP 25LX20M WT	25 Liters Water tank with 20 meters prevalence pump and telemetry receiver	
EATAP	Stainless Steel Adapter to use Emotion with Water Tank and Pump when the BWE Bracket is not used. For example Top Mount on a Pole.	

