

TECHNICAL DATA SHEET OF 12V 0.8AH FG20086

FG-series conventional range

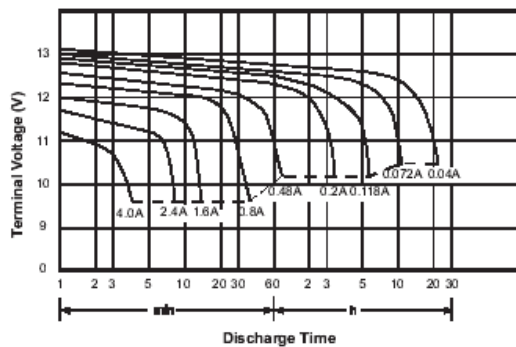
☆ SPECIFICATION

- NOMINAL VOLTAGE : 12 V
- NOMINAL CAPACITY(20 hrs) : 0.8 Ah
- DIMENSIONS
 - TOTAL HEIGHT : 62 mm
 - CONTAINER HEIGHT : 62 mm
 - LENGTH : 96 mm
 - WIDTH : 25 mm
- WEIGHT : APPROX 0.37 Kg
- MAX DISCHARGE CURRENT : 40 A (5 sec)
- STANDARD TERMINALS : PI-03
- CONTAINER MATERIAL : GENERAL GRADE ABS

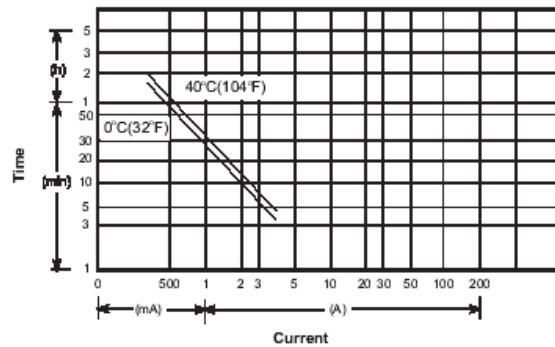
☆ CHARACTERISTICS

- CAPACITY 25 °C / 68 °F
 - 20 hr @ 0.04 A : 0.8 Ah
 - 5 hr @ 0.118 A : 0.64 Ah
 - 1 hr @ 0.48 A : 0.48 Ah
 - 1 C @ 0.8 A : 0.4 Ah
- INTERNAL RESISTANCE(20°C , 68°F) : 160 mΩ
- CHARGING VOLTAGE (20°C , 68°F)
 - STANDBY USE : 2.275+/-0.025 V/CELL
 - : (-3.3mV / °C / CELL)
 - CYCLE USE : 2.45+/-0.05 V/CELL
 - : (-5 mV / °C / CELL)
- MAX CHARGING CURRENT : 0.24 A

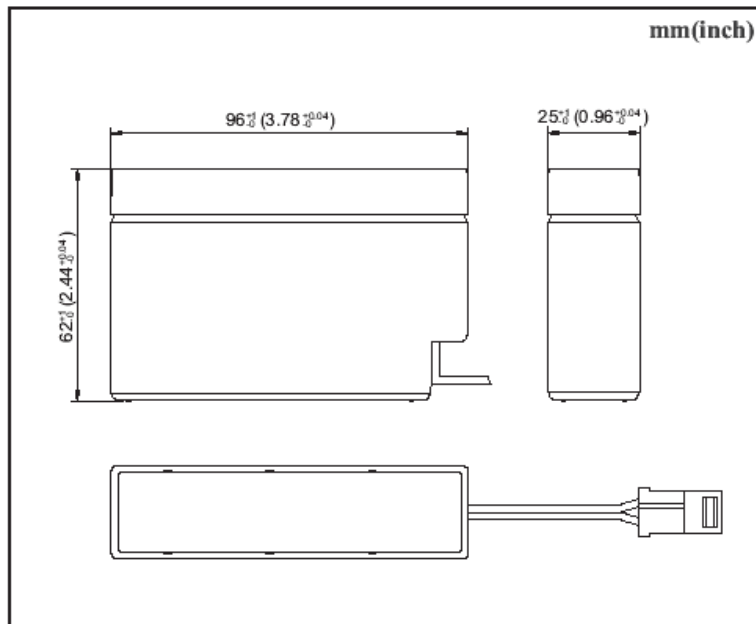
Discharge Characteristics 20 °C (68 °C)



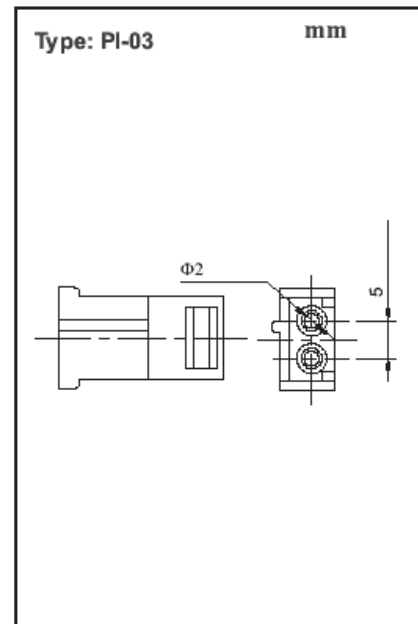
Discharge Current vs Time



☆ Dimensions



☆ Terminal



FIAMM-GS