

GEC-D2201AR

1 channel video encoder D1 Dual stream H.264/MJPEG

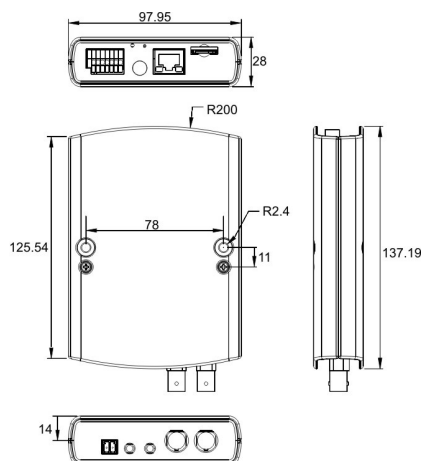


- One channel IP digital video server
- Video and Audio Realtime Transmission
- H.264 & MJPEG compression modes (max. 25 fps)
- Video Resolution: D1, CIF
- Support PTZ control.
- Web Viewer by Internet Explorer or by Software included
- Power Input DC12V and PoE

SPECIFICATIONS

Video Inputs	1 CH Composite, BNC
Video Outputs	1 CVBS (1Vpp), BNC
Audio Inputs	1x 3.5mm jack
Audio Outputs	1x 3.5mm jack
Network	10/100 Base-T
Client OS	MS Windows XP / VISTA / 7
Web Browser	MS Internet Explorer 6.0 (or higher), Firefox, Google Chrome, Safari
Video Compression	H.264, MJPEG
Video Resolution	D1 (720x576), CIF (352x288)
Alarm Inputs	1
Alarm Outputs	1
Alarm Event	Alarm Input, Motion Detection: Image transfer FTP, E-mail, recording on Micro SD-card *
Network Protocol	TCP/UDP/IP, HTTP, FTP, SMTP, ARP, ICMP, DHCP, Telnet, RTP/RTSP
Network Streaming	Dual H.264, simultaneously H.264+MJPEG
Audio Compression	G.726, G.711
Serial Interface(s)	RS-485
PTZ Control	Pan/Tilt/Zoom/Focus, Camera OSD
Software Upgrade	Firmware Upgrade by Web Browser
Configuration	Upload & Download configuration on remote PC
Login Access Level	up to 20 user, 1 Administrator
Recording	Micro SD memory slot for internal recording *
DDNS	Supporting Public DDNS servers *
Operating Temperature	-10°C ~ +50°C
Humidity	less than 90%, non condensing
Supply Voltage	12 VDC / PoE
Power Connector	5,5 x 2,1 x 11 mm
Power Consumption	5 W
Weight	0.2 kg
Dimensions w*h*d	137 x 99 x 28 mm

DIMENSIONS



REAR VIEW

