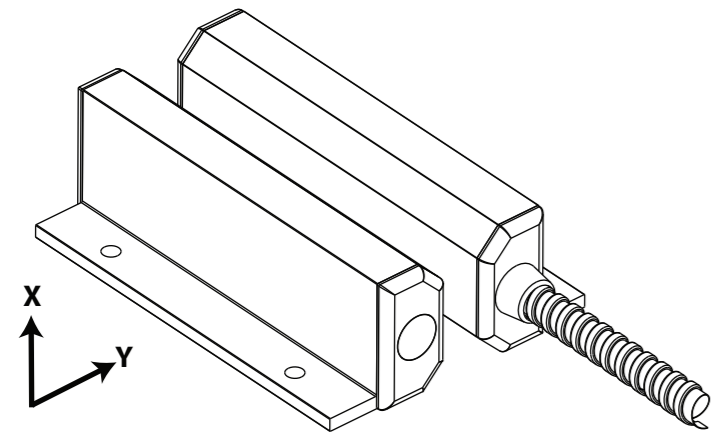


**Control panel types available on this model.**

Type	Control Panel	Alarm	Tamper
A	Honeywell, Ademco Microtech	1K	1K
B	Scantronic, Menvier, Pyronix PCX (12,22,44, 128 VID), Texecom, Castle CareTech G3 Plus.	4K7	2K2



**Approximate Operating Distances (mm) using Non Ferrous Surfaces**

X	Min Close	8mm
	Max Open	32mm
Y	Min Close	8mm
	Max Open	22mm

Mounting on a ferrous surface will reduce these figures, dependant on the material and thickness.

Specifications			
<b>Switch</b>		<b>Housing</b>	
Contact Material:	Rhodium & Ruthenium	Material:	Aluminium/ABS
Cable :	8 core x 7/0.2 Copper	Armoured Cable Length:	570mm
Contact Rating:	500mA @ 12Vdc	Contact Dimension (mm):	85 x 27 x 26
Contact Resistance:	100 milliOhms	Contact Fixing (mm):	50mm centres
Temperature Range:	-15° C to +40° C	Magnet Dimension (mm):	85 x 27 x 26
Life Expectancy:	>1,000,000 cycles	Magnet fixing (mm)	50 centres

**Environmental Advice.**

This product is covered by current WEEE regulations. Please consider the effect on the environment when disposing of it. Do not put in a domestic waste bin. Only dispose of at an appointed recycling centre.



RoHS compliant.

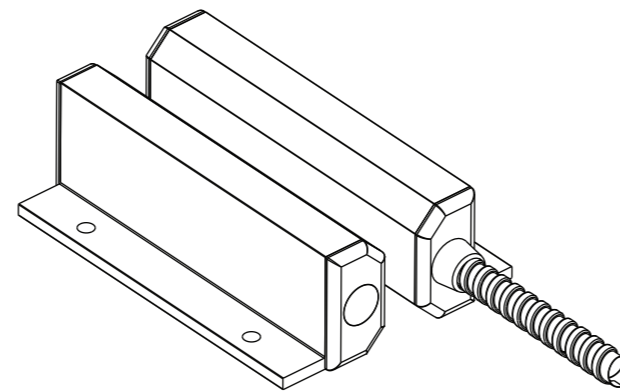
This product is designed to meet the requirements of EN50131-2-6:2008 Security grade 3 , environmental class II



**GP001/AB/G3 Magnetic Surface Contact.**

Surface mounted magnetic contact.  
Heavy duty aluminium construction  
Magnetic interference detection.  
Double pole or EOL configuration for types A & B.  
Suitable for domestic and commercial alarm circuits.  
Can be used in installations up to and including grade 3.  
Sealed to prevent tampering.

**Operating and Installation Instructions**



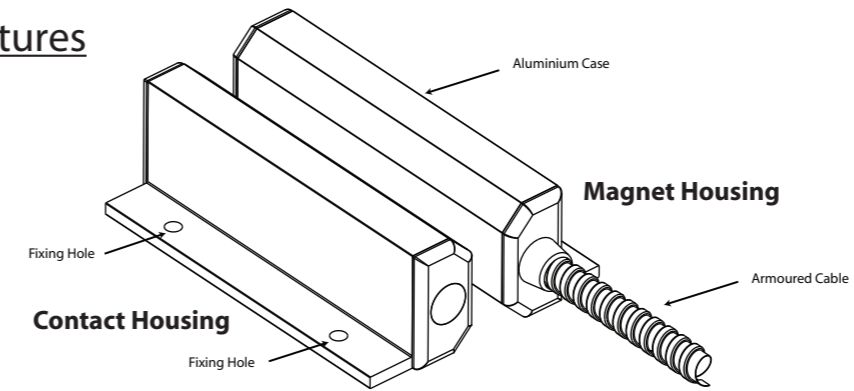
**Description**

This heavy duty surface mounted magnetic contact can be used in most security systems up to grade 3 as specified in EN50131-1:2006 and is compliant with EN50131-2-6:2008 and environmental class II (for use indoors). It operates as a normally closed circuit going open when the magnet housing is moved away from the contact housing. This contact can be used on doors and windows to detect the unauthorised entry of an intruder. A number of applications are shown over. The contact is sealed to prevent access to inside of the unit. Additionally there is a magnetic interference detection circuit for signalling the proximity of a magnet, which typically would be used by an intruder trying to inhibit the performance of the contact.

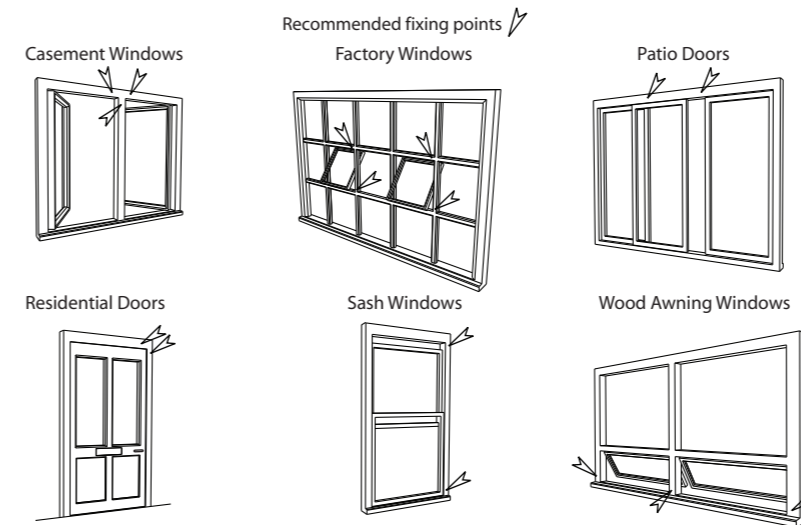
**CQR Security, 125, Pasture Road, Moreton, Wirral. CH46 4TH, United Kingdom**

Tel: +44 (0) 151 606 9595 Support: +44 (0) 151 606 6311 email: info@cqr.co.uk Web http://www.cqr.co.uk

**Features**



**Suitable Applications and Fixing Points**

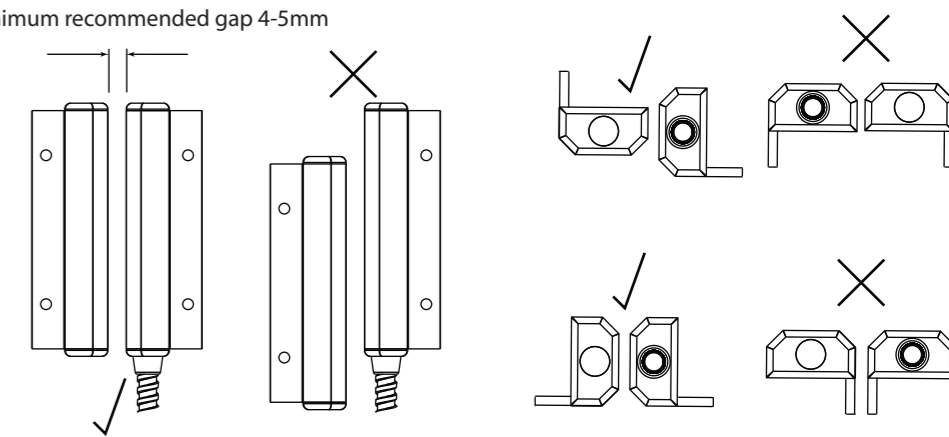


**Mounting Instructions**

Mount the contact housing using the fixing holes as shown in the diagram. Please see the mounting configurations to ensure that the contact is mounted in the most suitable location. Terminate the contact as shown in the diagrams using a suitable junction box that can isolate the spare wires from each other. We recommend the use of a JB707/WH as an ideal choice. Mark out the position of the magnet housing and secure in place with the screws provided. It is recommended that a gap of at least 4-5mm is used between the reed and magnet housing. Finally, in the event that the door magnet affecting the magnetic interference detection circuit thus causing a tamper fault, reposition the magnet further away until the situation is resolved.

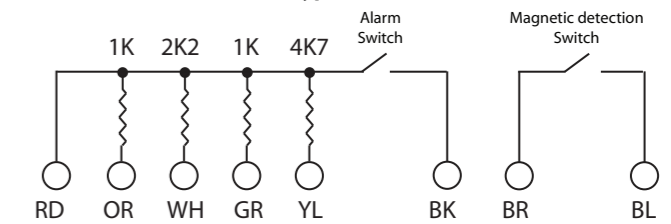
**Mounting Configurations**

Minimum recommended gap 4-5mm



**Wiring Configurations**

**SCHEMATIC 8 Wire GP001 G3 Type A & B**



**Wiring Options**

Red	Connect to Zone.	Reed only
Black	Connect to Zone.	Magnetic interference detection only
Brown	Connect to Zone.	End of line type A 1K Switch 1K Tamper only
Blue	Connect to Zone.	End of line type B 4K7 Switch 2K2 Tamper only
Green	Join together only	
Black	Join together only	
Orange	Connect to Zone.	End of line type A 1K Switch 1K Tamper with magnetic interference detection
Yellow	Join together only	
Black	Join together only	
Brown	Connect to Zone.	End of line type B 4K7 Switch 2K2 Tamper with magnetic interference detection
Blue	Connect to Zone.	
White	Connect to Zone.	