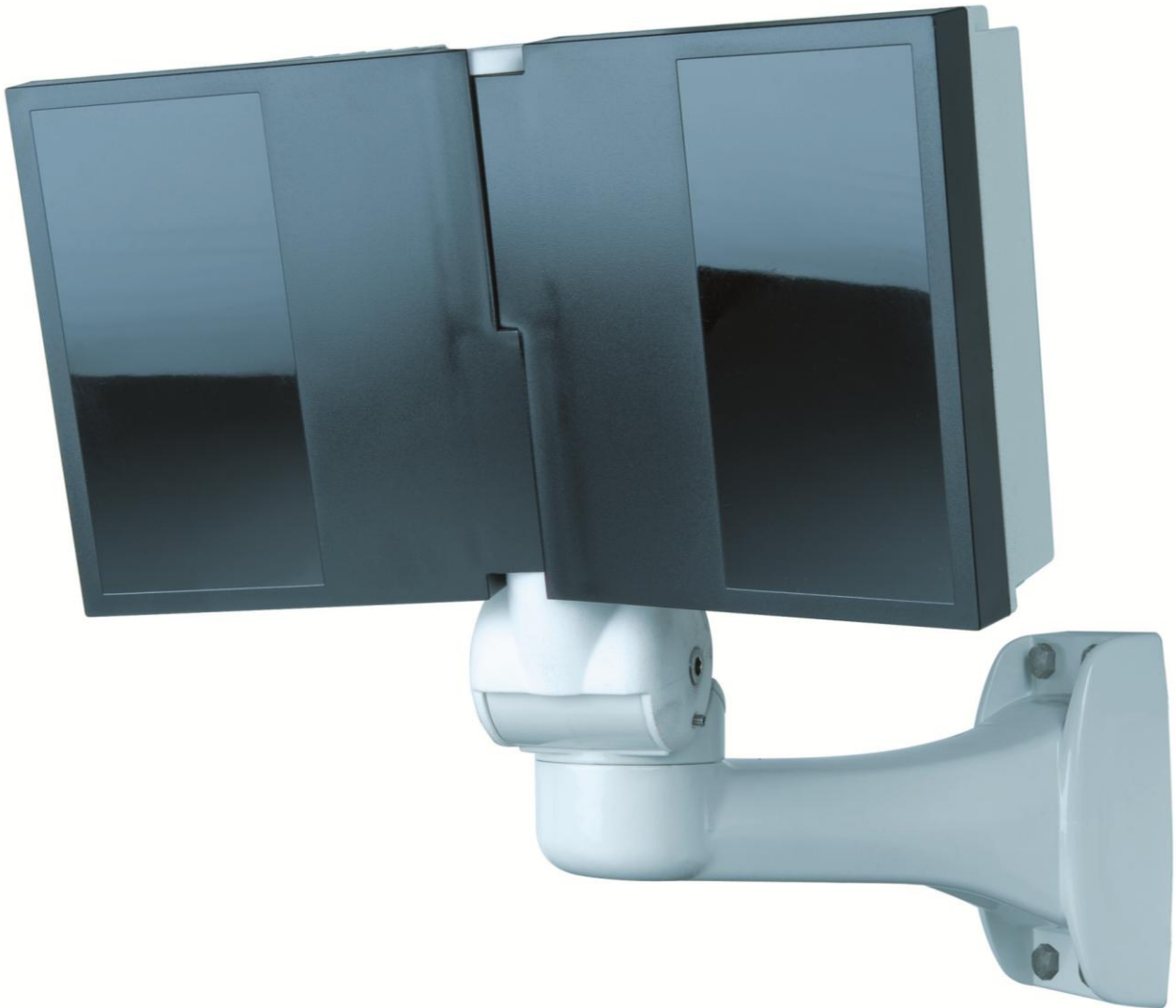


HYPERION

INFRARED LED ILLUMINATOR



Energy Saving



Cable Management



Easy Angle Adjusting



Water Proof
IP66
IP67



No External PSU



Maintenance Free



Vandal Proof



Day/Night Switch

High Performances

The latest smt led tecnology dare high performance and low power consumption

Adjustable angle aim point

The innovative beam angle calibration system permits a fine and accurate aim point

Integrated power supply and twilight

The integrated constant current power supply and photocell circuit allow a quick and easy installation without external box

Moulded full Aluminium body

The sturdy Aluminium body and cable management guarantees vandalproof performances as well as heat dissipation



tekno system[®]
Italian design for CCTV since 1979

Tekno System S.p.A.
Via Rostoncello, 1 - 36010 Carrè - Italy
Phone: +39 0445 314324 | Fax: +39 0445 314319
Email: info@teknoystem.eu | Web: www.teknoystem.eu

rev. 111110

Page 1 / 4

SPECIFICATION

General

- Wavelength: 850nm semi-covert
- High efficiency SMT Leds
- PC optical beam collimator
- Aluminium die cast molding and Technopolymers
- Radiant body for optimal thermal yield

Mechanical

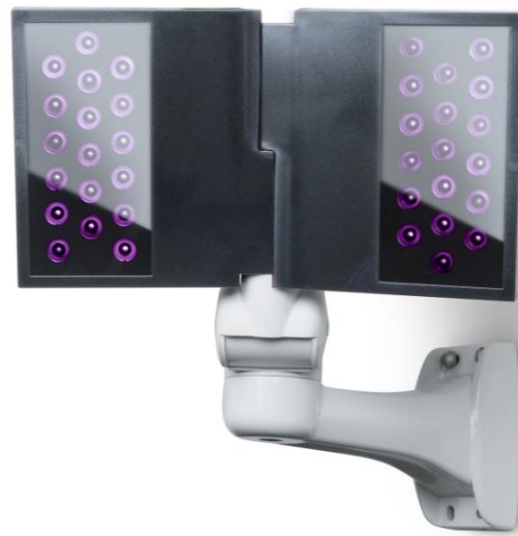
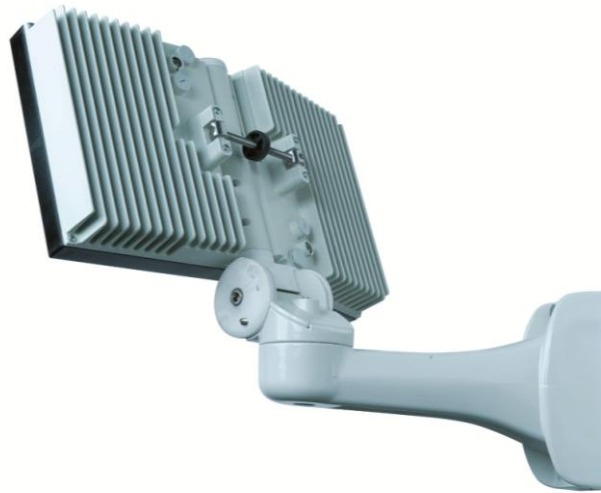
- Dimensions: 344 x 356 x 75 mm
- Weight: 3,9 Kg
- Angle adjustable:
Pan +10°/-30° (each module)
Tilt +45°/-15°
- Beam Pattern: see table

Electrical

- Power supply: Internal 230 VAC
Internal 24VAC/DC (LV version)
- Power: 40 W (HI version)
26 W (LOW version)
- Adjustable Photocell circuit
- Dry contact for Day/Night camera switch

Environmental

- Indoor / Outdoor applications
- IP66 and IP67 weatherproof rating (EN60529)
- Temperature Range : -50°C to 50°C
- RoHS compliant
- CE



Technical data and product features might be modified without any warning.



tekno system[®]
Italian design for CCTV since 1979

Tekno System S.p.A.
Via Rostoncello, 1 - 36010 Carrè – Italy
Phone: +39 0445 314324 | Fax: +39 0445 314319
Email: info@teknoystem.eu | Web: www.teknoystem.eu

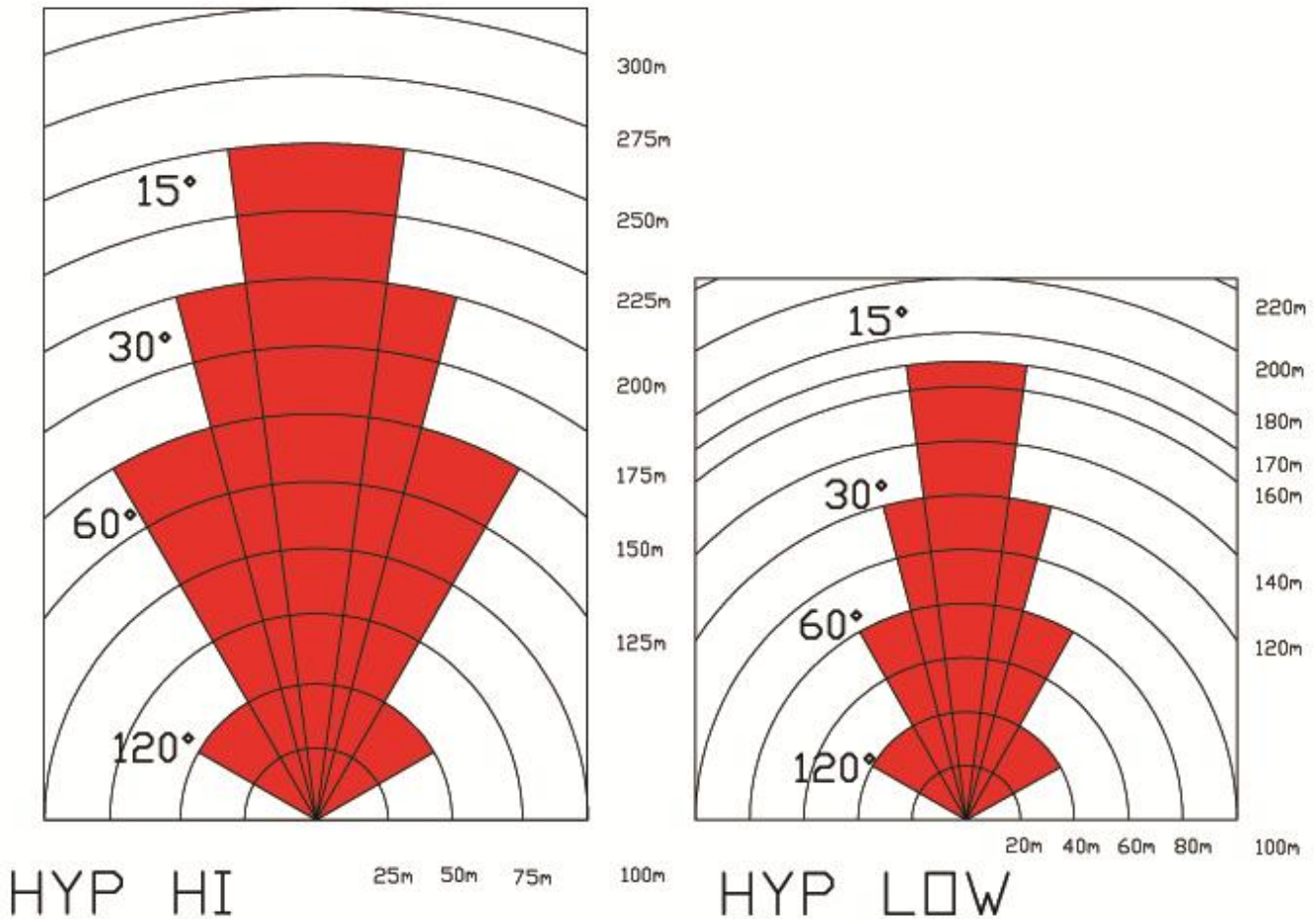
rev. 111110

Page 2 / 4

MODELS

ORDER CODE	Beam Angle	Max Distance (*)		IP Rate	Power supply	Cable Management
HYP 15 HI	15°	250 m	(273 yd)	IP66/67	Internal 230 VAC	●
HYP 30 HI	30°	200 m	(219 yd)	IP66/67	Internal 230 VAC	●
HYP 60 HI	60°	150 m	(164 yd)	IP66/67	Internal 230 VAC	●
HYP 120 HI	120°	50 m	(55 yd)	IP66/67	Internal 230 VAC	●
HYP 15 LOW	15°	170 m	(186 yd)	IP66/67	Internal 230 VAC	●
HYP 30 LOW	30°	120 m	(131 yd)	IP66/67	Internal 230 VAC	●
HYP 60 LOW	60°	80 m	(87 yd)	IP66/67	Internal 230 VAC	●
HYP 120 LOW	120°	40 m	(44 yd)	IP66/67	Internal 230 VAC	●
HYP 15 HI LV	15°	250 m	(273 yd)	IP66/67	Internal 24VAC/DC	●
HYP 30 HI LV	30°	200 m	(219 yd)	IP66/67	Internal 24VAC/DC	●
HYP 60 HI LV	60°	150 m	(164 yd)	IP66/67	Internal 24VAC/DC	●
HYP 120 HI LV	120°	50 m	(55 yd)	IP66/67	Internal 24VAC/DC	●
HYP 15 LOW LV	15°	170 m	(186 yd)	IP66/67	Internal 24VAC/DC	●
HYP 30 LOW LV	30°	120 m	(131 yd)	IP66/67	Internal 24VAC/DC	●
HYP 60 LOW LV	60°	80 m	(87 yd)	IP66/67	Internal 24VAC/DC	●
HYP 120 LOW LV	120°	40 m	(44 yd)	IP66/67	Internal 24VAC/DC	●

(*) The maximum distance has been verified using a camera with a Sony Ex-View 1/3" CCD sensor and lens opening F: 1,3. The achievable distances can change according to the used camera sensor, lens luminosity and the reflection factor of the lightened area.






tekno system[®]
Italian design for CCTV since 1979

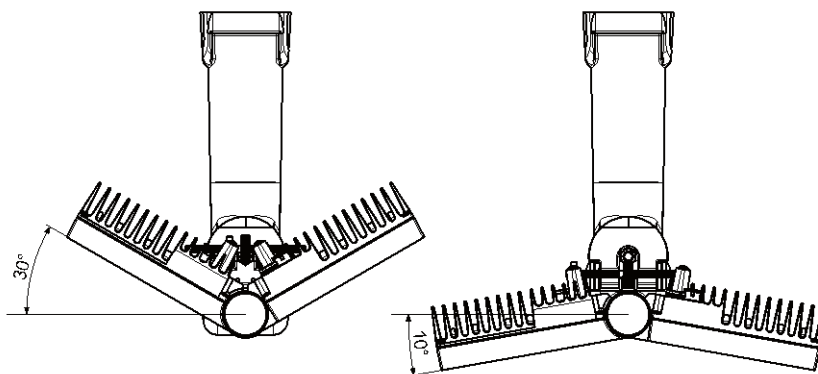
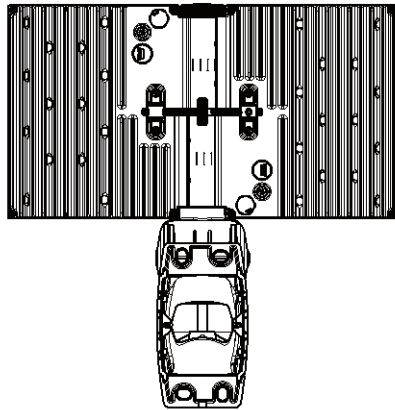
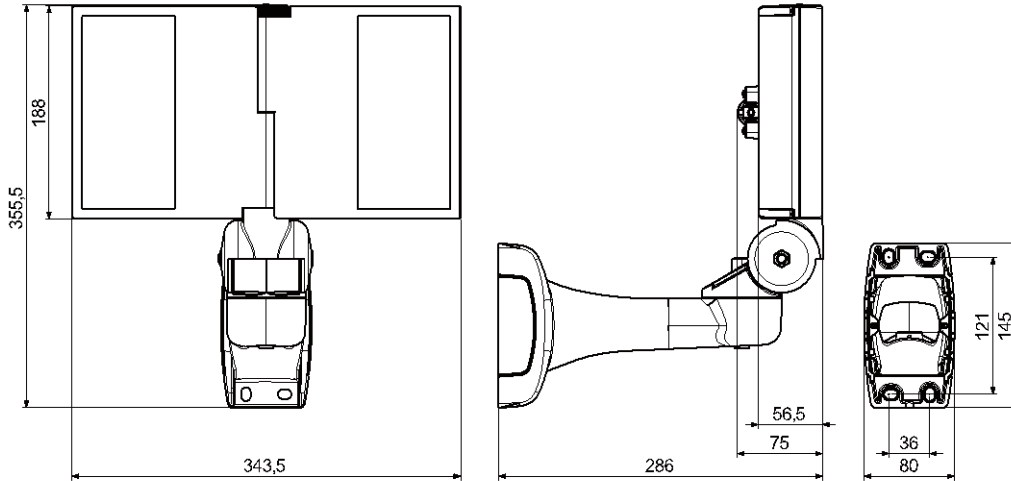
Tekno System S.p.A.
Via Rostoncello, 1 - 36010 Carrè - Italy
Phone: +39 0445 314324 | Fax: +39 0445 314319
Email: info@teknoystem.eu | Web: www.teknoystem.eu

rev. 111110

Page 3 / 4

RELATED PRODUCTS

PA/1	Pole mount adapter for one bracket	
PA/2	Pole mount adapter for two brackets	
CM	Corner mount adapter	



tekno system[®]
Italian design for CCTV since 1979

Tekno System S.p.A.
Via Rostoncello, 1 - 36010 Carrè - Italy
Phone: +39 0445 314324 | Fax: +39 0445 314319
Email: info@teknoystem.eu | Web: www.teknoystem.eu

rev. 111110