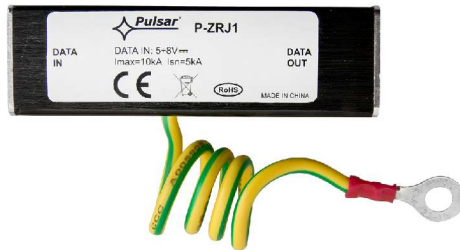


CODE: **P-ZRJ1** v.1.0/I
 TYPE: **P- ZRJ1 LAN surge protection with RJ45 connectors**

EN**



DESCRIPTION

Atmospheric discharges produce a very large amount of energy, which induces surges in power networks, causing damage to electrical and electronic equipment.

The P-ZRJ1 is designed to protect devices connected to Ethernet. The devices that are connected using twisted pair overhead lines should be particularly protected.

The device should be used in networks up to 100Mbit / s, because only two pairs involved in the transmission process, namely 1-2 and 3-6, are protected. The device includes gas protectors, which allow absorbing voltage spikes and discharging loads to the ground through protective (PE) conductor. Proper protection of the devices depends on proper grounding or protective (PE) conductor.

The housing is made of aluminum to provide good shielding of the system and resistance to mechanical damage.

TECHNICAL DATA

The rated voltage of the protected circuit U_N	5V
Maximum Continuous Operating Voltage U_C	8,8V
Nominal discharge current (8/20μs) wire-ground $I_{SN} (I_N)$	5kA
Maximum discharge current	10kA
Protected pairs	1-2, 3-6
Attenuation	-0,4dB / 100Hz
Operation temperature	-25°C ÷ 60°C
Protection class	IP20
Connector type input / output	RJ45 / RJ45 socket
Dimensions	25 x 25 x 83mm
Net / gross weight	0,09kg/0,10kg
Declarations, warranty	CE, one year from the production date

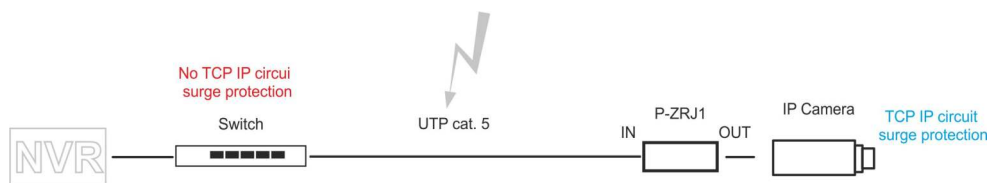


Fig. 1. IP Camera Surge Protection

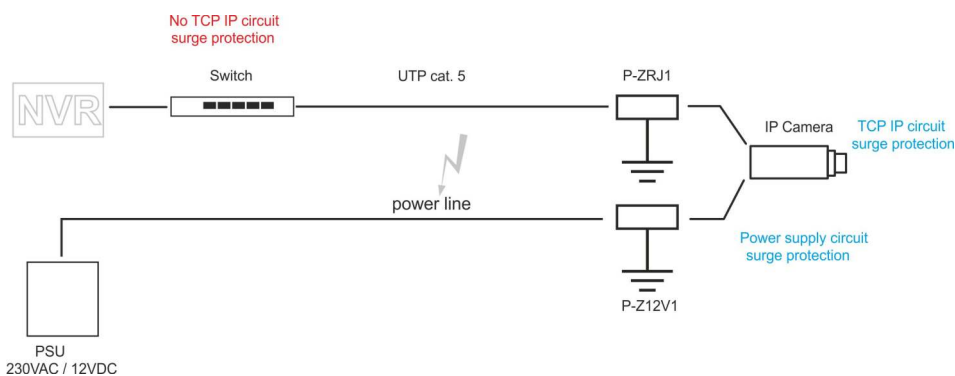


Fig. 2. IP Camera Surge Protection (TCP IP circuit and power supply circuit)