

## Professional Display Mounts

As a display professional, AG Neovo knows what display mount goes with a particular environment.

The rich selection of display mounts in ceiling, wall or desk applications share much in common: a rugged structure accentuated by sturdy materials that ensure durability and reliability. With the need for space kept to a minimum, they can also provide ergonomic comfort from a variety of practical viewing angles.

## Maximise space utilisation

Free from the constraints of space, the AG Neovo mounting solutions in various applications bring flexibility and more possibilities for home, office and other multiuser environments.

## Long lifespan

Specialising in displays makes AG Neovo the reliable brand of display mounts. The rugged structure with selected materials and components assures long product lifetime and secures mounting even in harsh environments.

## Ergonomic design

Designed to suit different statures of users and usage scenarios, the AG Neovo display mounts are adjustable for a wide variety of viewing angles. Users can easily position the display for preferred and comfortable viewing.



**Global Headquarters**  
Taipei, Taiwan

**EMEA Regional Headquarters**  
Capelle a/d IJssel, The Netherlands

**North & South America Regional Headquarters**  
San Jose, CA, U.S.A.

**Asia-Pacific Regional Headquarters**  
Taipei, Taiwan

**Argentina Sales Office**  
La Plata, Bs. As., Argentina

**Canada Sales Office**  
Vancouver, B.C., Canada

**China Sales Office**  
Shanghai, China

**Czech Republic Sales Office**  
Brno, Czech Republic

**Germany Sales Office**  
Brühl, Germany

**Italy Sales Office**  
Livorno, Italy

**Ukraine Sales Office**  
Lviv, Ukraine

**Spain Sales Office**  
Barcelona, Spain

**United Kingdom Sales Office**  
Wendover, United Kingdom

[www.agneovo.com](http://www.agneovo.com)

Copyright © 2013 AG Neovo. All rights reserved.  
The name AG Neovo is a trademark of Associated Industries China, Inc. All other trademarks are the property of their respective owners.

PQR-MOUNT-GLB-1303

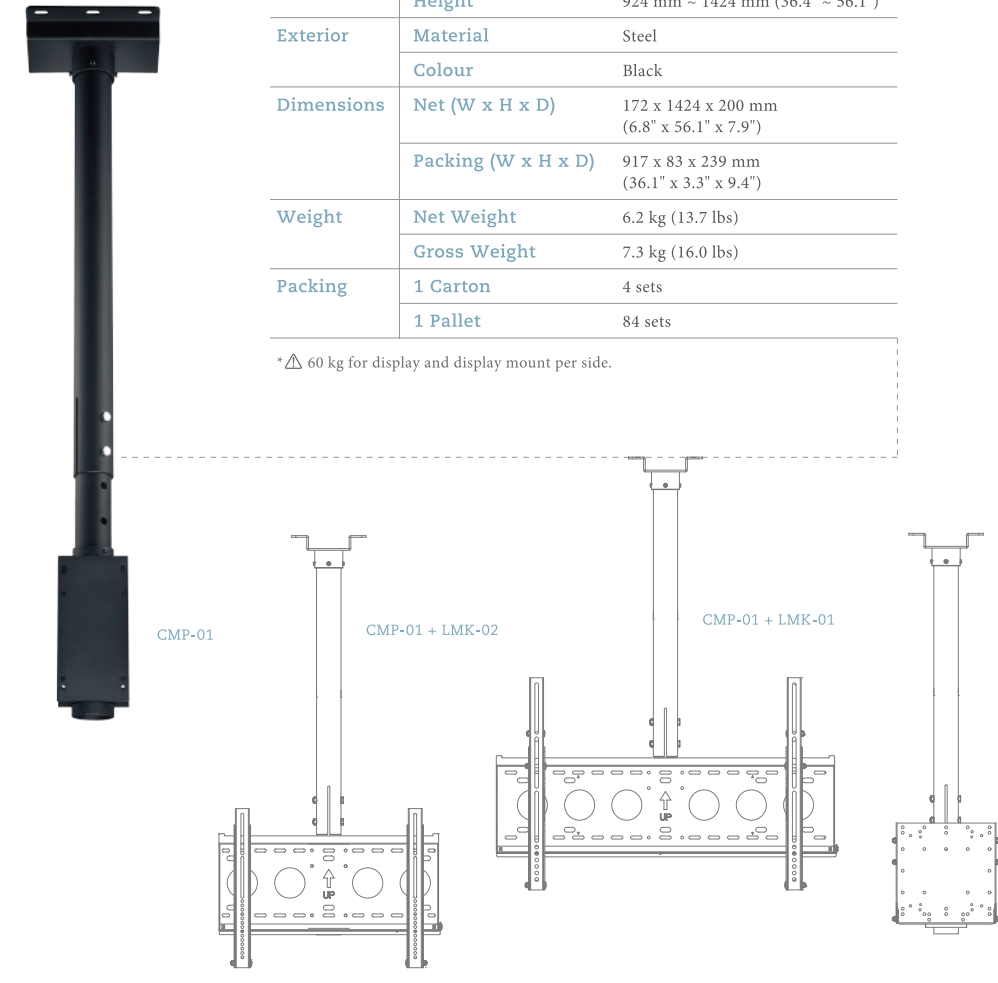


## Display Mounts Quick Reference

## Ceiling Mount

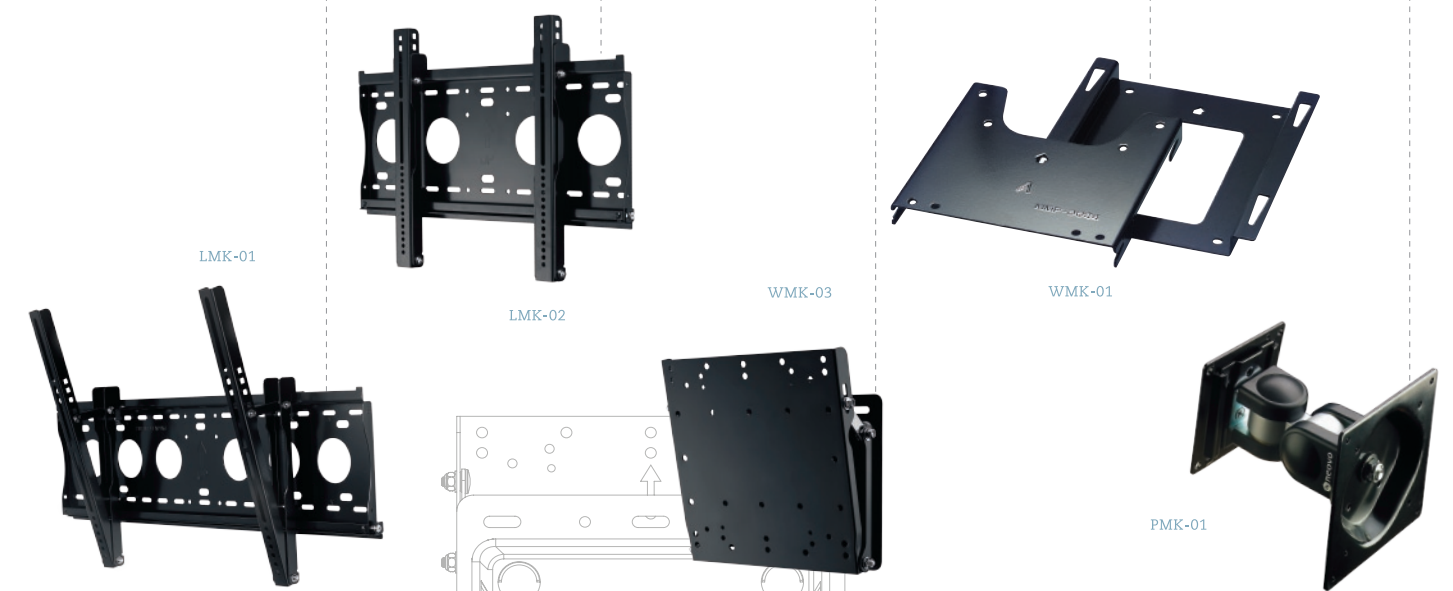
		CMP-01
Mounting	VESA Standard	Depends on AG Neovo display mount kits
Loading	Weight Capacity	60 kg (132.3 lbs) per side*
Adjustment	Swivel	360°
	Height	924 mm ~ 1424 mm (36.4" ~ 56.1")
Exterior	Material	Steel
	Colour	Black
Dimensions	Net (W x H x D)	172 x 1424 x 200 mm (6.8" x 56.1" x 7.9")
	Packing (W x H x D)	917 x 83 x 239 mm (36.1" x 3.3" x 9.4")
Weight	Net Weight	6.2 kg (13.7 lbs)
	Gross Weight	7.3 kg (16.0 lbs)
Packing	1 Carton	4 sets
	1 Pallet	84 sets

\* Δ 60 kg for display and display mount per side.



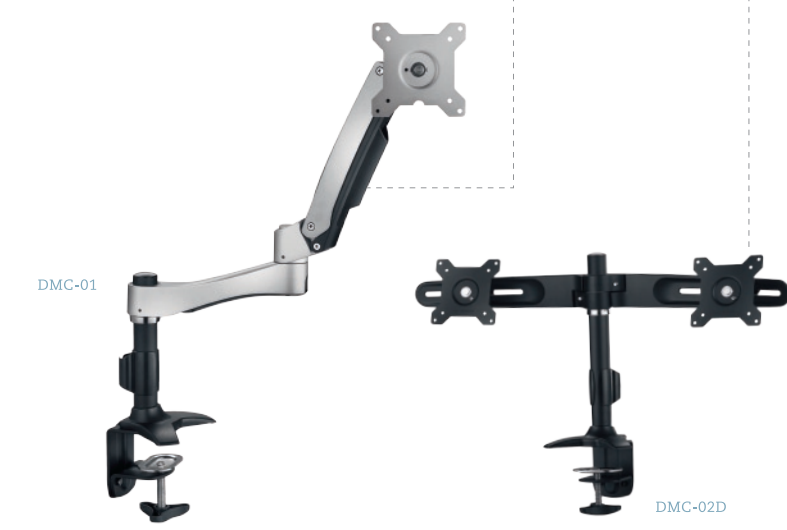
## Wall Mount

		LMK-01	LMK-02	WMK-03	WMK-01	PMK-01
Mounting	VESA Standard	Max. 700 x 450 mm	Max. 440 x 330 mm	100 x 100 mm / 200 x 100 mm / 200 x 200 mm	75 x 75 mm / 100 x 100 mm	75 x 75 mm / 100 x 100 mm
Loading	Weight Capacity	100 kg (220 lbs)	80 kg (176.4 lbs)	60 kg (132.3 lbs)	18 kg (40.0 lbs)	7 ~ 14 kg (15.4 ~ 30.9 lbs)
Adjustment (Mounting Bracket)	Rotation	-	-	-	-	270°
	Swivel	-	-	-	-	-90° ~ +90°
	Tilt	0°, -5°, -10°, -13°, -15°	0°, -5°, -10°, -13°, -15°	-15° ~ 0° (free angle)	-	-90° ~ +90°
	Height	-	-	-	-	-
Exterior	Material	Steel	Steel	Steel	Steel	Steel and die-cast aluminium
	Colour	Black	Black	Black	Black	Black
Dimensions	Net (W x H x D)	788 x 490 x 48 mm (31.0" x 19.3" x 1.9")	508 x 368 x 48 mm (20.0" x 14.5" x 1.9")	248 x 230 x 45 mm (9.8" x 9.1" x 1.8")	130 x 140 x 20 mm (5.1" x 5.5" x 0.8")	115 x 115 x 131 mm (4.5" x 4.5" x 5.2")
	Packing (W x H x D)	836 x 245 x 54 mm (32.9" x 9.6" x 2.1")	556 x 54 x 245 mm (21.9" x 2.1" x 9.6")	244 x 55 x 267 mm (9.6" x 2.2" x 10.5")	135 x 175 x 27 mm (5.3" x 6.9" x 1.1")	120 x 120 x 145 mm (4.8" x 4.8" x 5.7")
Weight	Net Weight	5.1 kg (11.2 lbs)	3.8 kg (8.3 lbs)	2.2 kg (4.9 lbs)	0.36 kg (0.79 lbs)	1.5 kg (3.3 lbs)
	Gross Weight	5.9 kg (13.0 lbs)	4.4 kg (9.6 lbs)	2.3 kg (5.1 lbs)	0.42 kg (0.93 lbs)	1.6 kg (3.5 lbs)
Packing	1 Carton	1 set	5 sets	10 sets	20 sets	12 sets
	1 Pallet	140 sets	210 sets	420 sets	1080 sets	540 sets



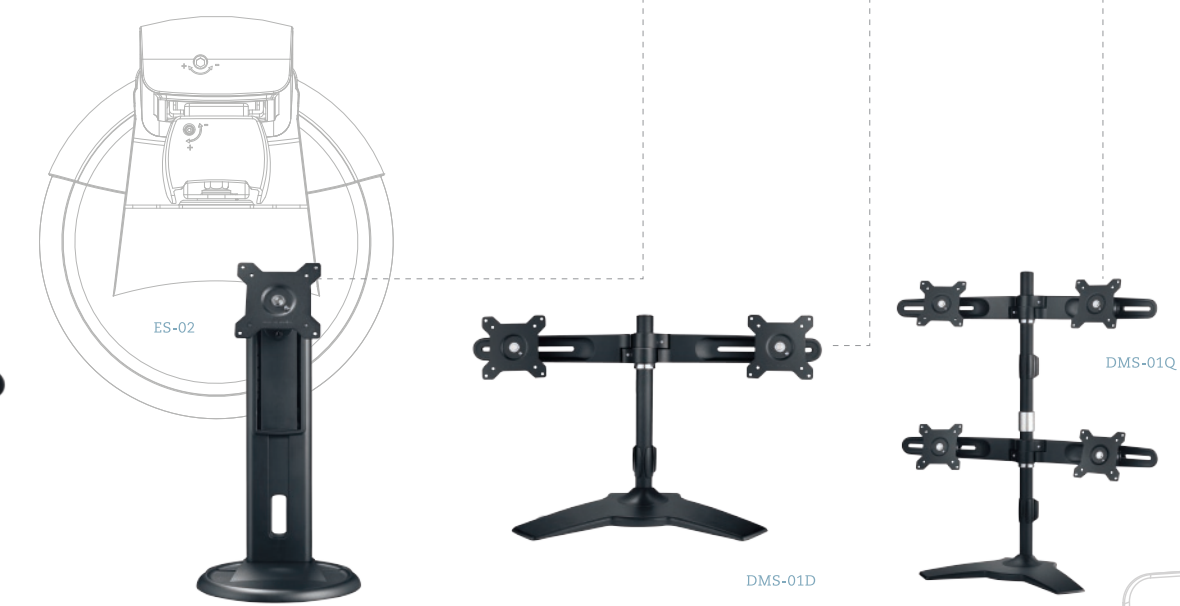
## Desk Clamp

		DMC-01	DMC-02D
Mounting	VESA Standard	75 x 75 mm / 100 x 100 mm	75 x 75 mm / 100 x 100 mm
Loading	Weight Capacity	10 kg (22.0 lbs)	12 kg (26.5 lbs) per hinge
Adjustment (Mounting Bracket)	Rotation	360°	360° (Default: 90°)
	Swivel	-90° ~ +90°	-20° ~ +20° per hinge
	Tilt	-20° ~ +90°	-20° ~ +20° per hinge
	Height	-	-
Adjustment (Arm)	Lift	315 mm (12.4")	(Height adjustable)
	Swivel	360°	-
Exterior	Material	Steel, Aluminium alloy, Plastic	Steel, Aluminium alloy, Plastic
	Colour	Black & Silver	Black
Dimensions	Net (W x H x D)	620 x 656 x 158 mm (24.4" x 25.8" x 6.2")	672 x 470 x 144 mm (26.5" x 18.5" x 5.7")
	Packing (W x H x D)	645 x 143 x 218 mm (25.4" x 5.6" x 8.6")	602 x 143 x 218 mm (23.7" x 5.6" x 8.6")
Weight	Net Weight	3.8 kg (8.4 lbs)	3.3 kg (7.4 lbs)
	Gross Weight	3.9 kg (8.6 lbs)	4.0 kg (8.9 lbs)
Packing	1 Carton	4 sets	3 sets
	1 Pallet	72 sets	96 sets



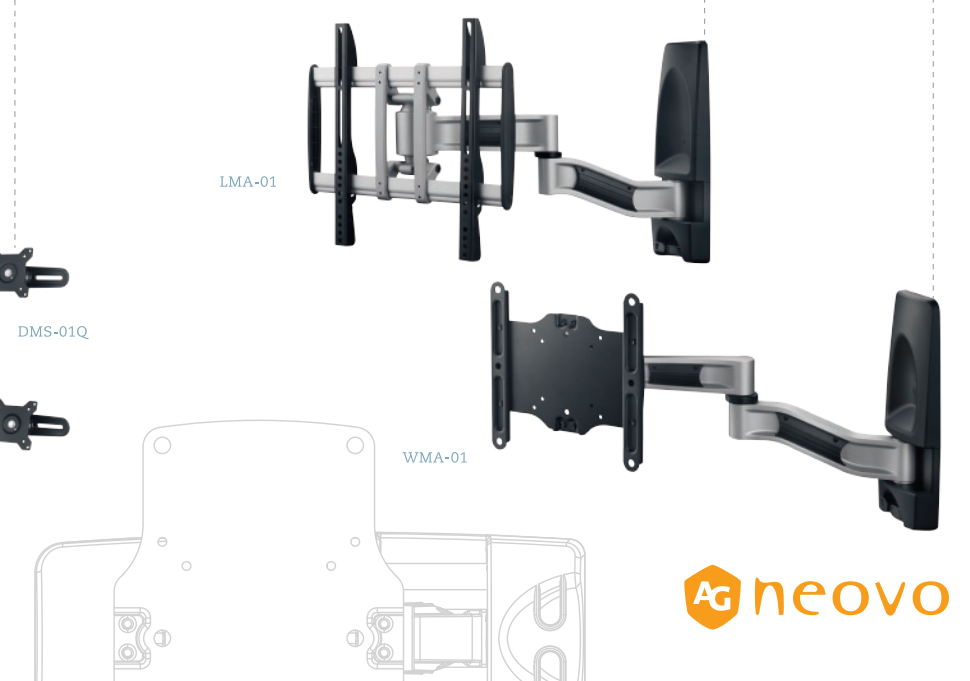
## Desk Stand

		ES-02	DMS-01D	DMS-01Q
Mounting	VESA Standard	75 x 75 mm / 100 x 100 mm	75 x 75 mm / 100 x 100 mm	75 x 75 mm / 100 x 100 mm
Loading	Weight Capacity	2 ~ 8 kg (4.4 ~ 17.6 lbs)	12 kg (26.5 lbs) per hinge	8 kg (17.6 lbs) per hinge
Adjustment	Rotation	360° (Default: 90°)	360° (Default: 90°)	360° (Default: 90°)
	Swivel	360°	-20° ~ +20° per hinge	-20° ~ +20° per hinge
	Tilt	-5° ~ +25°	-20° ~ +20° per hinge	-20° ~ +20° per hinge
	Lift	130 mm (5.1")	(Height adjustable)	(Height adjustable)
Exterior	Material	Plastic	Steel, Aluminium alloy, Plastic	Steel, Aluminium alloy, Plastic
	Colour	Black	Black	Black
Dimensions	Net (W x H x D)	222 x 432 x 252 mm (8.7" x 17.0" x 9.9")	672 x 370 x 240 mm (26.5" x 18.5" x 5.7")	672 x 730 x 240 mm (26.5" x 28.7" x 9.4")
	Packing (W x H x D)	260 x 95 x 460 mm (10.2" x 3.7" x 18.1")	474 x 95 x 273 mm (18.7" x 3.7" x 10.7")	479 x 184 x 275 mm (18.9" x 7.2" x 10.8")
Weight	Net Weight	3.2 kg (7.0 lbs)	3.1 kg (6.9 lbs)	5.8 kg (12.9 lbs)
	Gross Weight	3.6 kg (7.9 lbs)	3.6 kg (8.0 lbs)	6.5 kg (14.3 lbs)
Packing	1 Carton	5 sets	5 sets	3 sets
	1 Pallet	140 sets	120 sets	72 sets



## Wall Mount Arm

		LMA-01	WMA-01
Mounting	VESA Standard	Max. 400 x 400 mm	75 x 75 mm / 100 x 100 mm / 200 x 100 mm / 200 x 200 mm
Loading	Weight Capacity	35 kg (77.2 lbs)	25 kg (55.1 lbs)
Adjustment	Swivel	-90° ~ +90°	-90° ~ +90°
	Tilt	-15° ~ +15°	-15° ~ +15°
Extension	Max. Distance to Wall	562 mm (22.1")	469 mm (18.5")
	Min. Distance to Wall	105 mm (4.1")	70 mm (2.8")
Exterior	Material	Steel, Aluminium alloy, Plastic	Steel, Aluminium alloy, Plastic
	Colour	Black & Silver	Black & Silver
Dimensions	Net (W x H x D)	500 x 450 x 105 mm (19.7" x 17.7" x 4.1")	345 x 285 x 469 mm (13.6" x 11.2" x 18.5")
	Packing (W x H x D)	624 x 124 x 460 mm (24.6" x 4.9" x 18.1")	347 x 98 x 327 mm (13.7" x 3.9" x 12.9")
Weight	Net Weight	8.3 kg (18.4 lbs)	3.1 kg (6.9 lbs)
	Gross Weight	9.3 kg (20.4 lbs)	3.9 kg (8.5 lbs)
Packing	1 Carton	1 set	4 sets
	1 Pallet	64 sets	120 sets



All specifications are subject to change without prior notice.