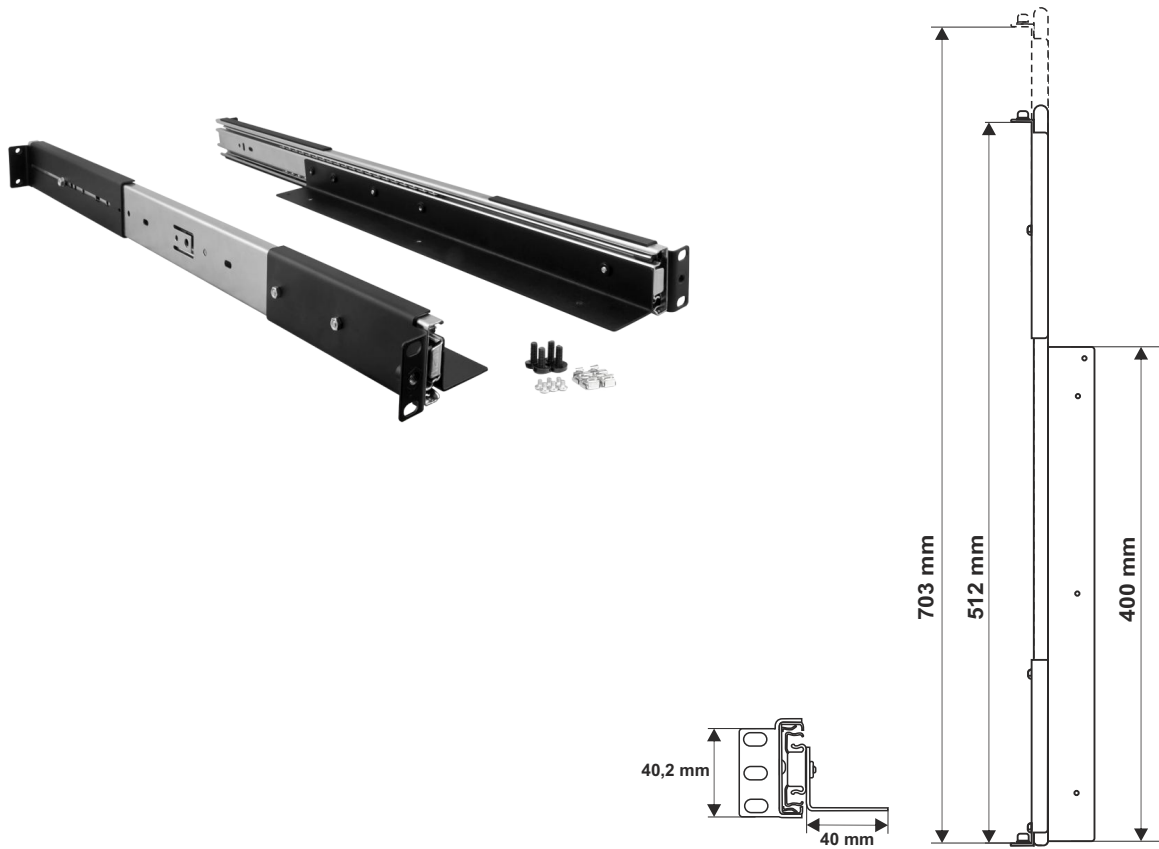


CODE: **ARAS800** v.1.2/IV
 NAME: **ARAD rails dedicated for RACK19" cabinets - 800mm depth**



INTENDED USE

The ARAS800 rail is intended for mounting RACK enclosures, type: ARAD2/ ARAD3/ ARAD4 in a 800mm deep RACK 19" cabinet.

SPECIFICATIONS

Mounting dimensions:	H=1U, D=512+703 [mm, +/-2]
Net / gross weight:	2,84 / 2,97 [kg]
Materials:	- sheet metal DC01, 1mm thick, RAL9005 - sliding rails – fully extendable
Static load:	30kg
Notes:	- four-point butt mounting to RACK profiles + supported on front and rear RACK profiles - 4 M6 screws + cage nuts included - 6 M4 screws included – to bolt the RACK enclosure
Use:	inside
Declarations, warranty:	CE, 2 year from the production date