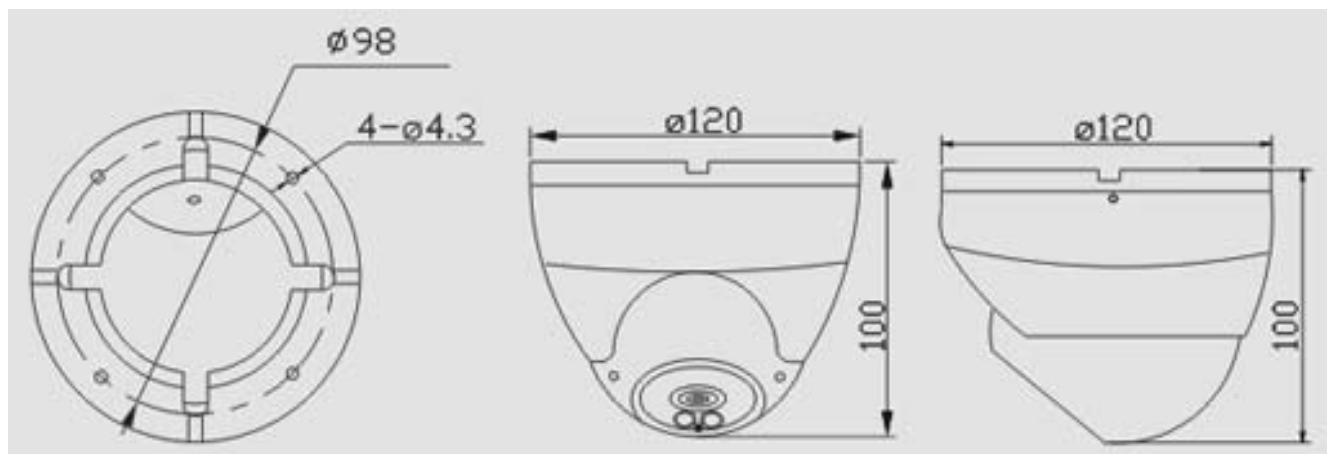


CIR-HSR46DGC

3 Axis Vari-focal IR Dome Camera



● FEATURES:

- ◆ 700TVL, 1/3" 960H CCD
- ◆ 2.8-11mm Vari-focal Lens, 2PCs super high power IR LED
- ◆ Color changes to B/W while IR LED and ICR start working
- ◆ Constant current circuit design to make sure the lifespan of IR LED
- ◆ Removable IR cut filter(ICR)
- ◆ No Color deflection under sunshine and halogen lamp
- ◆ Viewing Angle: Horizontal: 90°~28°
- ◆ Available IR distance: 25-30M
- ◆ Advanced Features: Smart IR/DNR/ATR/OSD

Remark: Non-regulative adaptor may cause camera damaged.

● ACCESSORIES:

User Manual	X1
Camera.....	X1
Screw.....	X4
Plastic-Conical-Anchor.....	X4
Hexagonal Wrench.....	X1
Screw Driver.....	X1
Mounting drawing paper.....	X1

● **SPECIFICATION:**

Item	CIR-HSR46DGC
IP Rating	IP66
Filter	Color/Monochrome (Removable IR Cut Filter)
Image Sensor	1/3" 960H CCD
Pixels	NTSC:1020H×508; PAL:1020H×596V
Horizontal Resolution	700TVL
Minimum Lux	0Lux(2Pieces super high power IR LED)
Vertical Frequency	NTSC:60Hz PAL:50Hz
Horizontal Frequency	NTSC:15.734KHz PAL:15.625KHz
Clock Frequency	NTSC/PAL:36MHz
Scanning System	2:1 Inter lace
S/N Ratio	≥52dB
Electronic Shutter	NTSC:1/60-1/100,000s;PAL:1/50-1/100,000s
Lens	2.8-11mm Vari-focal Lens
Viewing Angle	Horizontal:90°~28°
White Balance	Auto Tracking
Back Light Compensation	OFF
AUTO Gain Control	ON
OSD	YES
IR Smart	ON
Gamma	0.45
Video Output	1Vp-p ,75Ω
Power Supply	DC12V±10%
Current Consumption	430mA (Max)
IR Effect Distance	25~30M (82~98.4ft)
Dimension	Φ120×100mm (Φ4.72"×3.93")
Weight	790g
Storage Temperature	-30~+60℃
Operating Temperature	-30~+40℃
Package	12Pcs/CTN 12.3KGs 310×305×415mm(12.20"×12.00"×16.33")

● **Package:**

Weight790g
 Dimension Φ 120×100mm
 Quantity per carton12PCs
 Dimension of carton.....310×305×415mm
 Weight of carton.....12.3KGs