

DS-2CD2720F-I(S)



Key Features

- Up to 2 megapixel (1920 × 1080) resolution, real-time output
- Support ROI function
- Standard video compression with high compression ratio
- Progressive scan CMOS, capture motion video without incised margin
- Support dual stream, and the sub-stream for mobile surveillance
- High-performance and long service life Infrared LED, Approx. 10 to 20 meters IR range
- Built-in Micro SD/SDHC/SDXC card slot, up to 128 GB
- IR cut filter with auto switch
- PoE (Power over Ethernet)
- Ingress Protection level: IP66
- Electronic shutter for different surveillance environments
- Impact Protection: IEC60068-2-75 test, Eh, 20J; EN50102, up to IK10
- Other functions: reset, heartbeat, mirror, etc
- Support intrusion detection and line crossing detection
- Support VCA, which is compatible with NVR for the second time of video searching and analysing

Specification

Model	DS-2CD2720F-I(S)
Parameter	2 Megapixel CMOS Vandal-proof Network Dome Camera
Camera	
Image Sensor	1/3" Progressive Scan CMOS
Min. Illumination	0.01lux @(F1.2,AGC ON) ,0 Lux with IR

	0.014lux @(F1.4,AGC ON), 0 Lux with IR
Shutter Speed	1/3 s to 1/100,000 s
Lens	2.8 - 12 mm @ F1.4,Angle of view: 113°-33.8°
Angle Adjustment	Pan:0° - 355°, Tilt: 0° - 75°, Rotation: 0° - 355°
Lens Mount	Φ14
Day &Night	IR cut filter with auto switch
Digital Noise Reduction	3D DNR
Wide Dynamic Range	Digital WDR
Compression Standard	
Video Compression	H.264/ MJPEG
H.264 Compression Type	BaseLine Profile/Main Profile
Video Bit Rate	32 Kbps – 8 Mbps
Audio Compression	G.711/G.722.1/G.726/MP2L2
Audio Bit Rate	64Kbps(G.711)/ 16Kbps(G.722.1)/ 16Kbps(G.726)/ 32-128Kbps(MP2L2)
Dual Stream	Yes
Image	
Max. Resolution	1920×1080
Frame Rate	50Hz: 25fps(1920 × 1080), 25fps (1280 × 960), 25fps (1280 × 720) 60Hz: 30fps(1920 × 1080), 30fps (1280 × 960), 30fps (1280 × 720)
Image Settings	Rotate mode, Saturation, Brightness, Contrast adjustable by client software or web browser
Backlight compensation	Yes, zone optional
ROI	Support
Network	
Network Storage	NAS (Support NFS,SMB/CIFS)
Alarm Trigger	Line crossing, Intrusion detection, Motion detection, Dynamic analysis, Tampering alarm, Network disconnect , IP address conflict, Storage exception
Protocols	TCP/IP,ICMP,HTTP,HTTPS,FTP,DHCP,DNS,DDNS,RTP,RTSP,RTCP, PPPoE,NTP,UPnP,SMTP,SNMP,IGMP,802.1X,QoS,IPv6,Bonjour
General	One-key reset, Flash-prevention, dual stream, heartbeat, mirror, password protection, privacy mask, watermark, IP address filtering, Anonymous access
Standard	ONVIF, PSIA, CGI, ISAPI
Interface	
Communication Interface	1 RJ45 10M/100M Ethernet interface

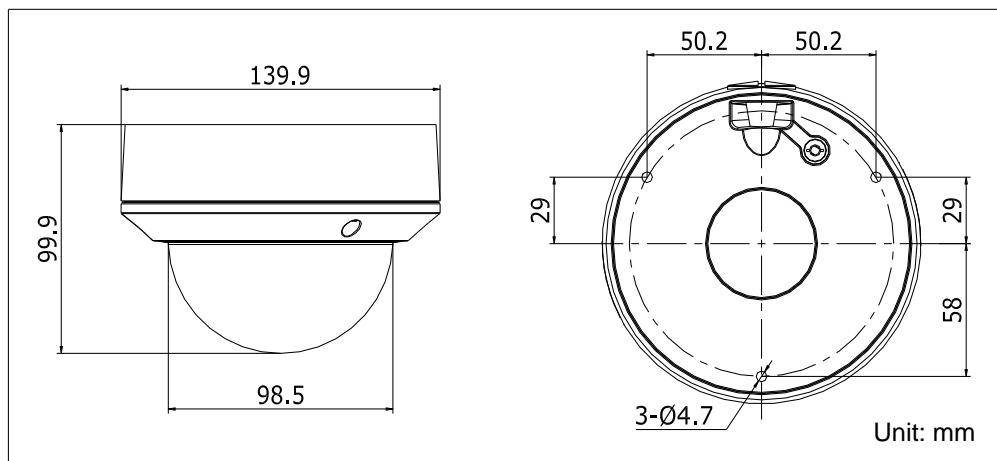
On-board storage	Built-in Micro SD/SDHC/SDXC card slot, up to 128 GB
General	
Operating Conditions	-30 °C – 60 °C (-22 °F – 140 °F) Humidity 95% or less (non-condensing)
Power Supply	12 V DC ± 10% PoE (802.3af)
Power Consumption	Max. 5.5 W
Ingress Protection level	IP66
Impact Protection	IEC60068-275Eh, 20J; EN50102, up to IK10
IR Range	30 meters
Dimensions	Φ 140 × 99.9 mm (Φ 5.51" × 3.94")
Weight	1000g

* "-S" series support 1-ch audio I/O, 1-ch alarm I/O

Order Models

DS-2CD2720F-I, DS-2CD2720F-IS

Dimensions



Accessories



Wall mount
DS-1273ZJ-135