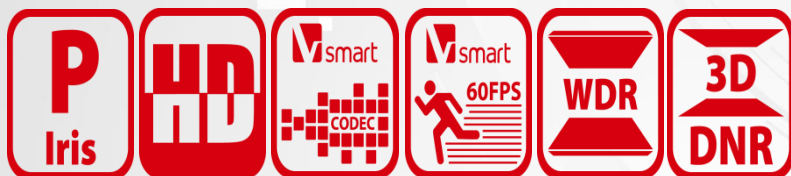


DS-2CD4026FWD-(A)(P) 2MP Low Light Smart Camera

DARKFIGHTER



The Darkfighter series ultra-low light Smart cameras are able to capture high quality colored images in dim light environment. DS-2CD4026FWD offers Full HD resolution with up to 60fps high frame rate, 120dB WDR, Auto Back Focus, P-Iris, PoE, Defog, 3D DNR and complete Smart Feature-set to meet a wide variety of applications.

smart IPC

DS-2CD4026FWD-(A)(P) is Hikvision Smart IPC and features complete Smart functions including:

Smart Detection

Intrusion Detection, Line Crossing Detection, Object Left/Removal, Area Entering/Leaving, Scene Change Detection, Audio Surge Detection, Audio Loss Detection, Defocus Detection, Face Detection, Object Counting, etc.

Smart Codec

Smart Recording with dual-VCA, Low Bitrate, Low Latency, ROI enhancement, Multi-stream, Rotate Mode, Edge Recording, etc.

Smart Image Control

Smart Auto Focus with ABF (-A)

- 1/1.8" Progressive Scan CMOS
- Full HD1080p video
- Up to 60fps frame rate
- Ultra-low light
- Slow shutter
- 120dB WDR
- 3D DNR
- -A: Auto Back Focus
- -P: P-Iris
- Audio/Alarm IO
- Support 128G on-board storage
- DC12V/AC24V/PoE



Key Features

Smart

- 6 behavior analysis, 4 exception detections, 1 recognition, 1 statistic function.
- Smart recording: Support edge recording and dual-VCA.
- Smart encoding: Support low bit rate; low latency; ROI enhance encoding
- Smart lens options: ABF (-A), P-iris(-P).

Image

- HD 1920 × 1080@60fps
- Support rotate mode, suitable for environment as corridor.
- Support regional cropping, details can be seen with low bandwidth.
- Code smoothness setting for different requirements of image quality and fluency.
- Support H.264+/H.264/MJPEG/MPEG4 video compression, multi-level video quality configuration; support Basic/Main/High Profile H.264 encoding complexity.
- Multiple OSD color: Black & white self-adaptive; Custom
- 120dB WDR is supportable for backlight environment.
- Support defog, BLC, EIS.

System

- Support ONVIF (profile S/profile G), CGI, PSIA, ISAPI protocol.
- Support three streams, and Support 20 channels live view at the same time.
- Anti-surge, anti-static protection level.

Interface

- Support standard 128G Micro SD/SDHC/SDXC card storage.
- Support 10M/100M Ethernet Port.
- Support Audio I/O, support dual channel stereo audio.
- Support Alarm I/O
- Support CVBS analog output (4CIF resolution)

Security

- Support three-level user authentication management, user and password authorization, IP address filtering and anonymous access.
- Support security certificate as HTTPS, SSH; support creating certificate.
- Basic and digest authentication is supportable in IE configuration
- Lock user IP for many times error login

DS-2CD4026FWD-(A)(P) 2MP Low Light Smart Camera

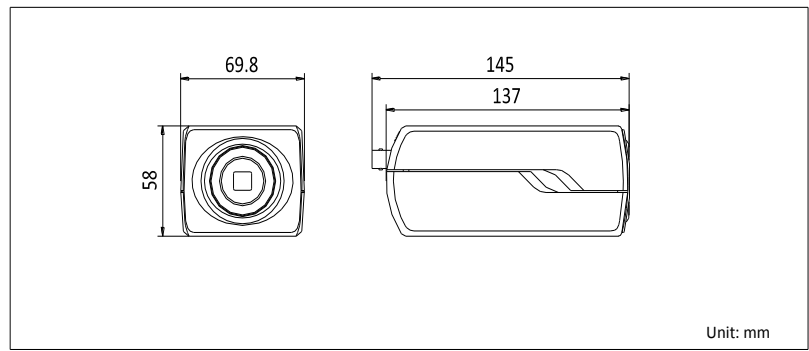
DARKFIGHTER



Specification

Camera	
Image Sensor	1/1.8" Progressive Scan CMOS
Min. Illumination	Color: 0.002 Lux @ (F1.2, AGC ON), B/W: 0.0002 Lux @ (F1.2, AGC ON)
Shutter Speed	1s ~ 1/100,000s
Slow Shutter	Support
Lens Mount	C/CS mount
Auto-iris	DC drive(-P: support P-Iris)
Day & Night	IR Cut Filter
WDR	120dB
Focus	-A: support ABF
Compression Standard	
Video Compression	H.264+/H.264/MPEG4/MJPEG
H.264 Type	Baseline Profile / Main Profile / High Profile
Video Bit Rate	32 Kbps – 16 Mbps
Audio Compression	G.711/G.722.1/G.726/MP2L2
Audio Bit Rate	64Kbps(G.711) / 16Kbps(G.722.1) / 16Kbps(G.726) / 32-128Kbps(MP2L2)
Image	
Max. Resolution	1920 × 1080
Frame Rate	50Hz: 50fps(1920 × 1080, 1280 × 960, 1280 × 720) 60Hz: 60fps (1920 × 1080, 1280 × 960, 1280 × 720)
Third Stream	Independent with Main Stream and Sub Stream, up to 50Hz: 25fps(1920 × 1080); 60Hz: 30fps (1920 × 1080)
Image Enhancement	BLC/3D DNR/ROI/Defog/EIS
Image Setting	Rotate Mode, Saturation, Brightness, Contrast, Sharpness adjustable by client software or web browser
Regional Cropping	Support
Day/Night Switch	Auto/Schedule/Triggered by Alarm In
Picture Overlay	LOGO picture can be overlaid on video with 128x128 24bit bmp format
Network	
Network Storage	NAS (Support NFS,SMB/CIFS), ANR
Alarm Trigger	Motion detection, Tampering alarm, Network disconnect, IP address conflict, Storage exception
Protocols	TCP/IP, UDP, ICMP, HTTP, HTTPS, FTP, DHCP, DNS, DDNS, RTP, RTSP, RTCP, PPPoE, NTP, UPnP, SMTP, SNMP, IGMP, 802.1X, QoS, IPv6, Bonjour
Security	User Authentication, Watermark, IP address filtering, Anonymous access
Standard	ONVIF(PROFILE S,PROFILE G),PSIA,CGI,ISAPI
Interface	
Audio	1-ch 3.5 mm audio in(Mic in/Line in)/out interface, 1 build-in Microphone
Communication Interface	1 RJ45 10M/100M Ethernet port, 1 RS-485 interface and 1 RS-232 interface
Alarm	1 input, 1 output (up to DC24V 1A or AC110V 500mA)
Video Output	1Vp-p composite output (75 Ω/BNC)
On-board storage	Built-in Micro SD/SDHC/SDXC slot, up to 128 GB
Reset Button	Yes

Dimensions



Unit: mm

Audio

Environment Noise Filtering	Support
Audio I/O	Support dual audio track, stereo
Audio Sampling Rate	16kHz / 32kHz / 44.1kHz / 48kHz

Smart Feature-set

Behavior Analysis	Line crossing detection, Intrusion detection, Region entrance, Region exiting, Unattended baggage, Object removal
Line Crossing Detection	Cross a pre-defined virtual line
Intrusion Detection	Enter and loiter in a pre-defined virtual region
Region Entrance	Enter a pre-defined virtual region from the outside place
Region Exiting	Exit from a pre-defined virtual region
Unattended Baggage	Objects left over in the pre-defined region such as the baggage, purse, dangerous materials
Object Removal	Objects removed from the pre-defined region, such as the exhibits on display.
Exception Detections	Scene change detection, Sudden audio increase/decrease detection, Audio loss detection, Defocus detection
Recognition	Face detection recognition
Statistics	Object Counting (Entrance and Exit object number is accounted and showed on screen in real time)

General

Operating Conditions	-30 °C – 60 °C (-22 °F – 140 °F), Humidity 95% or less (non-condensing)
Power Supply	24 V AC ± 10%, 12 V DC ± 10%, PoE (802.3af)
Power Consumption	Max. 6 W (Max. 9W with IR cut filter on)
Dimensions	69.8×58×145 mm (2.75" × 2.28" × 5.71")
Weight	830 g (1.83 lbs)

Order Models

Lens no included models: DS-2CD4026FWD, DS-2CD4026FWD-A, DS-2CD4026FWD-AP
 Vari-focal DC Iris lens included: DS-2CD4026FWD-A(3816mm), DS-2CD4026FWD-A(1140mm)
 Vari-focal P-Iris lens included: DS-2CD4026FWD-AP(3816mm), DS-2CD4026FWD-AP(1140mm)

Accessories



HV3816D-8MPIR

3.8~16mm DC Iris Lens

HV3816P-8MPIR

3.8~16mm P-Iris Lens



HV1140D-8MPIR

11~40mm DC Iris Lens

HV1140P-8MPIR

11~40mm P-Iris Lens



DS-1293ZJ

Long Arm Wall Mount



DS-1292ZJ

Short Arm Wall Mount



DS-1322HZ-C/H/CW/HW

Outdoor Housing



DS-1320HZ

Indoor Housing