

## DS-2CE56D0T-VPIR3E 2 MP Vandal Proof PoC Dome Camera



### Key Features

- 2 MP high performance CMOS
- 1920 × 1080 resolution
- 2.8 mm to 12 mm vari-focal lens
- True Day/Night
- Up to 40 m IR distance
- PoC.af
- IP66, IK10
- Up the coax (HIKVISION-C)



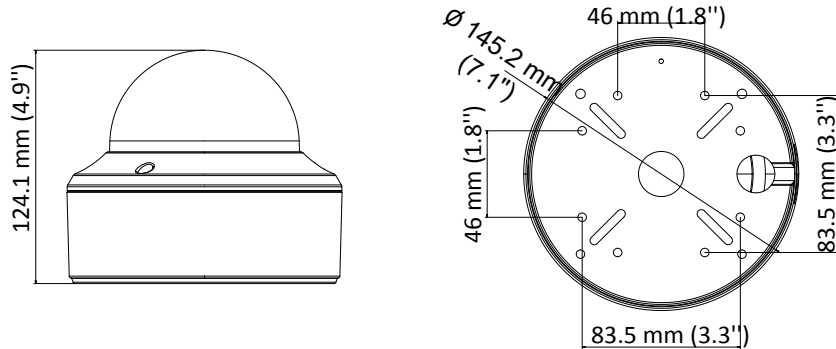
## Specifications

<b>Camera</b>	
Image Sensor	2 MP progressive scan CMOS
Signal System	PAL/NTSC
Frame Rate	PAL: 1080p@25fps NTSC: 1080p@30fps
Effective Pixels	1920 (H) × 1080 (V)
Min. illumination	0.01 Lux@(F1.2, AGC ON), 0 Lux with IR
Shutter Time	PAL: 1/25 s to 1/50, 000 s NTSC: 1/30 s to 1/50, 000 s
Lens	2.8 mm to 12 mm
Horizontal Field of View	105.2 ° to 32.8 °
Lens Mount	Φ14
Day & Night	IR cut filter
Angle Adjustment	Pan: 0° to 355°, Tilt: 0° to 75°, Rotation: 0° to 355°
Synchronization	Internal synchronization
S/N Ratio	> 62 dB
<b>Interface</b>	
Video Output	1 HD analog output
<b>General</b>	
Operating Conditions	-40 °C to 60 °C (-40 °F to 140 °F), Humidity 90% or less (non-condensation)
Power Supply	12 VDC ±15%/PoC.af
Power Consumption	Max. 4 W
Protection Level	IP66, IK10
Material	Metal
IR Range	Up to 40 m
Dimensions	Ø 145.3 × 124.2 mm (Φ 5.72" × 4.89")
Weight	1300 g (2.87 lb.)

**Order Models**

DS-2CE56D0T-VPIR3E

**Dimension**



**Accessory**



DS-1273ZJ-140  
Wall Mounting Bracket



DS-1275ZJ-SUS  
Vertical Pole Mounting Bracket



DS-1276ZJ-SUS  
Corner Mounting Bracket



DS-1271ZJ-140  
Pendant Mounting Bracket



DS-1273ZJ-140B  
Wall Mounting Bracket

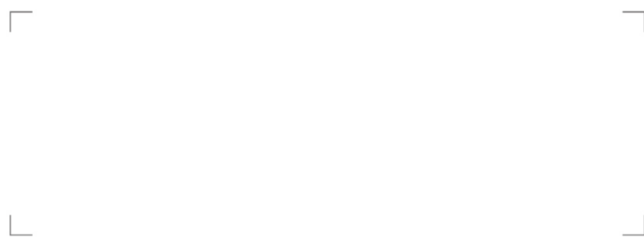


DS-1241ZJ  
In-ceiling Mounting Bracket



DS-1240ZJ  
Inclined Ceiling Mounting Bracket

Distributed by



**HIKVISION®**

**Headquarters**

No.555 Qianmo Road, Binjiang District,  
Hangzhou 310051, China  
T +86-571-8807-5998  
overseasbusiness@hikvision.com

**Hikvision USA**  
T +1-909-895-0400  
sales.usa@hikvision.com

**Hikvision Europe**  
T +31-23-55-42-770  
info.eu@hikvision.com

**Hikvision Middle East**  
T +971-4-8816086  
salesme@hikvision.com

**Hikvision Russia**  
T +7-495-669-67-99  
saleru@hikvision.com

**Hikvision India**  
T +91-22-28469900  
sales@pramahikvision.com

**Hikvision Italy**  
T +39-0438-6902  
info.it@hikvision.com

**Hikvision France**  
T +33(0)1-85-330-450  
info.fr@hikvision.com

**Hikvision Spain**  
T +34-91-737-16-55  
info.es@hikvision.com

**Hikvision Poland**  
T +48-22-460-01-50  
poland@hikvision.com

**Hikvision UK**  
T +01628-902140  
support.uk@hikvision.com

**Hikvision Singapore**  
T +65-6684-4718  
sg@hikvision.com

**Hikvision Oceania**  
T +61-2-8599-4233  
salesau@hikvision.com

**Hikvision Canada**  
T +1-909-895-0400  
sales.usa@hikvision.com

**Hikvision Korea**  
T +82-31-731-8841  
sales.korea@hikvision.com

**Hikvision Brazil**  
T +55 11 3318-0050  
Latam.support@hikvision.com

**Hikvision Africa**  
T +27 (10) 0351172  
sale.africa@hikvision.com

**Hikvision Hong Kong**  
T +852-2151-1761