

DS-2DE5320IW-AE E Series 3 MP 5-inch IR Network Speed Dome



This series of cameras can be widely used for wide ranges of high-definition, such as the rivers, forests, roads, railways, airports, ports, squares, parks, scenic spots, stations and large venues, etc.

Hikvision DS-2DE5320IW-AE IR Network Speed Dome also features a wide range of functions, including intrusion detection, line crossing detection, audio exception detection, motion detection and video tampering detection, benefitting users with improvement on security efficiency, more importantly, with key events/objects being recorded for further forensic needs.

Key Features

- 1/2.8" Progressive Scan CMOS
- 2048 × 1536@30fps Resolution
- 20× optical zoom, 16× digital zoom
- WDR
- 3D Positioning
- 24VAC & Hi-PoE
- Up to 150m IR distance



Function Description

Smart Function

- Smart detection: intrusion detection, line crossing detection, audio exception detection, motion detection and video tampering detection
- Smart recording: ANR(Automatic Network Replenishment), smart search in smart NVR and smart playback
- Smart image enhancement: Defog, HLC (High Light Compensation) and Smart IR
- Smart encoding: low bitrate and ROI (Region of Interest) encoding
- Smart alarm: alarm for network disconnection, IP address conflict, HDD full, HDD error and illegal login

IR Function

- Efficient infrared array and low power consumption
- Smart IR avoids overexposure
- Up to 150m IR distance
- 30,000 hours' lifespan

System Function

- Up to 2048 × 1536@30fps resolution
- ±0.1° preset accuracy
- Standard API development interface, supports Hikvision SDK, ONVIF, CGI, PSIA and Cloud P2P
- Supports 3D intelligent positioning function, click to track and zoom with NVR/client software/IE web browser
- Power-off memory: restore PTZ and lens status after reboot
- IP66 Standard; TVS 4000V Lightning Protection, Surge Protection and Voltage Transient Protection

Camera Function

- 20× optical zoom, 16× digital zoom
- Auto iris, auto focus, auto white balance, backlight compensation, 3D DNR and WDR
- Min. Illumination: 0.05Lux@(F1.6, AGC ON)(Color), 0.01Lux@(F1.6, AGC ON)(B/W) and 0 Lux with IR

Network Function

- Supports Ethernet control and analog output
- Micro SD/SDHC/SDXC card storage, up to 128GB
- Supports three streams, H.264/MJPEG video compression, and H.264 with baseline, main and high profiles
- Supports NAS storage, and able to transmit videos from memory card to the NAS after network resumed
- Three Levels: Administrator, Operator and User, supports the authorized user and password
- Supports HTTPS encryption and IEEE 802.1x network access control
- Supports multiple network protocols: IPv4/IPv6, HTTP, HTTPS, 802.1x, Qos, FTP, SMTP, UPnP, SNMP, DNS, DDNS, NTP, RTSP, RTP, TCP/IP, DHCP, PPPoE, Bonjour
- 1-ch audio input and 1-ch audio output

PTZ Function

- 0° to 360° pan range and -15° to 90° tilt range
- Pan preset Max. speed: 400°/s and tilt preset Max. speed: 200°/s
- 0.1° to 400°/s manual pan speed, and 0.1° to 200°/s manual tilt speed
- 300 programmable presets
- 8 patrols, up to 32 presets for each patrol
- 4 pattern scans, record time over 10 minutes for each scan
- Proportional zoom
- Park Action: Preset/ Pattern Scan/ Patrol Scan/ Auto Scan / Tilt Scan/ Random Scan/ Frame Scan/ Panorama Scan
- 2-ch alarm input, 1-ch alarm output, and alarm linkage which is able to perform alarm actions, such as Preset, Patrol Scan, Pattern Scan, Memory Card Video Record, Trigger Recording, Notify Surveillance Center, Upload to FTP/Memory Car/NAS and Send Email, etc.

Specification

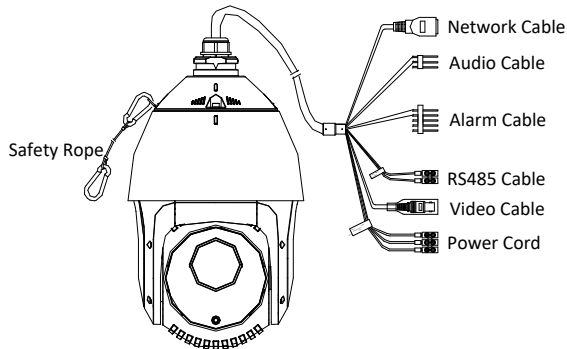
Camera Module	
DS-2DE5320IW-AE E Series 3 MP 5-inch IR Network Speed Dome	
Image Sensor	1/2.8" progressive scan CMOS
Min. Illumination	Color: 0.05 Lux @ (F1.6, AGC ON), B/W: 0.01Lux @ (F1.6, AGC ON) IR: 0 Lux
White Balance	Auto/ manual/ ATW (Auto Tracing White Balance)/ indoor/ outdoor/ fluorescent lamp/ sodium lamp
AGC	Auto/manual
DNR (Digital Noise Reduction)	Support
Backlight Compensation	Support
Wide Dynamic	Support
Shutter Speed	1/1 to 1/10,000s
Day & Night	Auto ICR
Digital Zoom	16×
Privacy Mask	8 programmable privacy masks
Focus Mode	Auto/ Semi-automatic/ Manual
Lens	
Focal Length	4.7 to 94mm, 20× Optical
Zoom Speed	Approx. 2.7s (optical lens, wide-tele)
Field of View	58.3° to 3.2° (wide-tele)
Working Distance	10 to 1500mm (wide-tele)
Aperture Range	F1.6 to F3.5
Smart	
Smart Detection	Intrusion detection, line crossing detection, audio exception detection, motion detection and video tampering detection
Smart Recording	ANR(Automatic Network Replenishment), smart search in smart NVR and smart playback
Smart Image Enhancement	Defog, HLC, Smart IR
Smart Encoding	Low bitrate and ROI (Region of Interest) encoding
Smart Alarm	Alarm for network disconnection, IP address conflict, HDD full, HDD error and illegal login
PTZ	
Movement Range (Pan)	360° Continuous Rotate
Pan Speed	Configurable, from 0.1°/s to 400°/s Preset Speed: 400°/s
Movement Range (Tilt)	From -15° to 90° (auto reverse)
Tilt Speed	Configurable, from 0.1°/s to 200°/s Preset Speed: 200°/s
Proportional Zoom	Support
Presets	300
Patrol Scan	8 patrols, up to 32 presets for each patrol
Pattern Scan	4 pattern scans, record time over 10 minutes for each scan
Power-off Memory:	Support
Park Action	Preset/ Pattern Scan/ Patrol Scan/ Auto Scan / Tilt Scan/ Random Scan/ Frame Scan/ Panorama Scan
PT Status	ON/ OFF
Scheduled Task	Preset/ Pattern Scan/ Patrol Scan/ Auto Scan / Tilt Scan/ Random Scan/ Frame Scan/ Panorama Scan/ Dome Reboot/ Dome Adjust

IR	
IR Distance	Up to 150m
IR Angle	Adjustable according the focal length
Network	
Max. Resolution	2048 × 1536
Stream	Support three streams
Main Stream	50Hz:25fps (2048×1536,1920×1080,1280×960,1280×720), 50fps (1280×960,1280×720) ; 60Hz: 30fps(2048×1536,1920×1080,1280×960,1280×720), 60fps (1280×960,1280×720)
Sub Stream	50Hz:25fps(704×576,640×480,352×288);60Hz:30fps(704×480,640×480,352×240)
Three Stream	50Hz:25fps (1920×1080,1280×960,1280×720,704×576,640×480,352×288); 60Hz: 30fps(1920×1080,1280×960,1280×720,704×480,640×480,352×240)
Video Compression	H.264/ MJPEG
Audio compression	G.711alaw/ G.711ulaw/ G.722/ G.726/ MP2L2/ PCM
Protocols	IPv4/IPv6, HTTP, HTTPS, 802.1x, Qos, FTP, SMTP, UPnP, SNMP, DNS, DDNS, NTP, RTSP, RTCP, RTP, TCP/IP, DHCP, PPPoE, Bonjour
Simultaneous Live View	Up to 20 users
User/Host	Up to 32 users 3 levels: Administrator, Operator and User
Security Measures	User authentication (ID and PW), Host authentication (MAC address); HTTPS encryption; IEEE 802.1x port-based network access control; IP address filtering
System Integration	
Alarm Input	2-ch alarm input (0-5vDC)
Alarm Output	1-ch alarm output, Alarm Linkage
Alarm Linkage	Alarm actions, such as Preset, Patrol Scan, Pattern Scan, Memory Card Video Record, Trigger Recording, Notify Surveillance Center, Upload to FTP/Memory Car/NAS and Send Email, etc.
Audio Input	1-ch audio input
Audio Output	1-ch audio output
Network Interface	1 RJ45 10M/100M Ethernet Interface
RS485	Half-Duplex Mode, HIKVISION, PELCO-P and PELCO-D self-adaptive
Analog Video Output	0V[p-p] / 75 Ω , PAL or NTSC, BNC Interface, SNR(signal-noise ratio): Over 52dB
Memory Card	Built-in memory card slot, supporting SD/SDHC/SDXC, up to 128GB Support Manual/Alarm Recording
API	Open-ended; Support ONVIF, PSIA and CGI; Support HIKVISION SDK and Third-Party Management Platform; Support Cloud P2P
Client	iVMS-4200
Web Browser	IE7+, Chrome18+, Firefox5.0+, Safari5.02+
General	
Power	AC 24V and Hi-PoE Max.: 32W (Heating: 6W Max., IR 9W Max.)
Working Temperature	-30°C to 65°C (-22°F to 149°F)
Working Humidity	≤ 90%
Protection Level	IP66 Standard; TVS 4000V Lightning Protection, Surge Protection and Voltage Transient Protection
Installation	Variable installation methods optional
Dimensions(mm)	Φ185mm × 330mm (Φ7.28"×12.99")
Weight	Approx. 4kg (8.82lb)

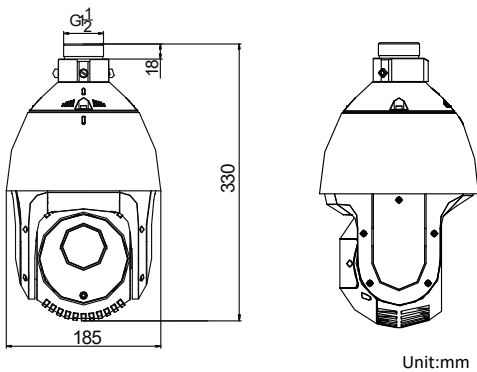
Order Model

DS-2DE5320IW-AE: AC24V, Hi-PoE

Cables Description



Dimension



Unit:mm

Accessory



DS-1602ZJ



DS-1602ZJ-Pole



DS-1602ZJ-Corner



DS-1602ZJ-Box

Distributed by

Headquarters

No.555 Qianmo Road, Binjiang District,
Hangzhou 310051, China
T +86-571-8807-5998
overseasbusiness@hikvision.com

Hikvision USA
T +1-909-895-0400
sales.usa@hikvision.com

Hikvision Italy
T +39-0438-6902
info.it@hikvision.com

Hikvision Singapore
T +65-6684-4718
sg@hikvision.com

Hikvision Europe
T +31-23-5542770
saleseuro@hikvision.com

Hikvision France
T +33(0)1-85-330-444
info.fr@hikvision.com

Hikvision Oceania
T +61-2-8599-4233
salesau@hikvision.com

Hikvision Middle East
T +971-4-8816086
salesme@hikvision.com

Hikvision Spain
T +34-91-737-16-55
info.es@hikvision.com

Hikvision Hong Kong
T +852-2151-1761

Hikvision Russia
T +7-495-669-67-99
saleru@hikvision.com

Hikvision Poland
T +48-22-460-01-50
poland@hikvision.com

Hikvision Canada
T +1-909-895-0400
sales.usa@hikvision.com

Hikvision India
T +91-22-28469900
sales@pramahikvision.com

Hikvision UK
T +44-1628-9021-4
support.uk@hikvision.com