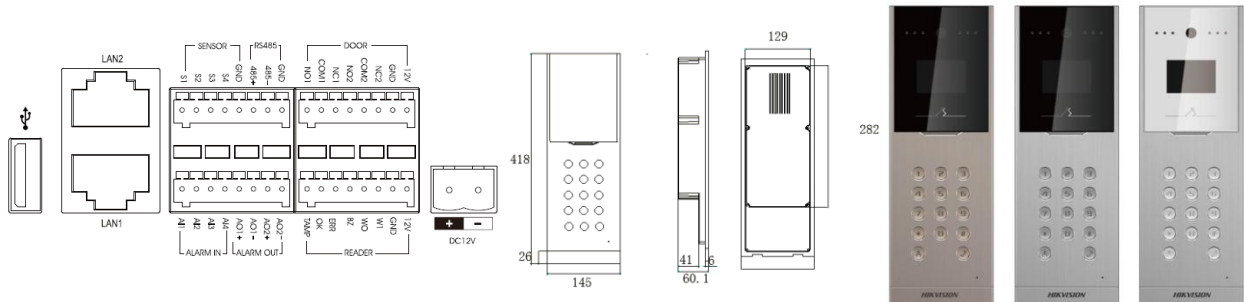


DS-KD8002-VM

Metal Door Station



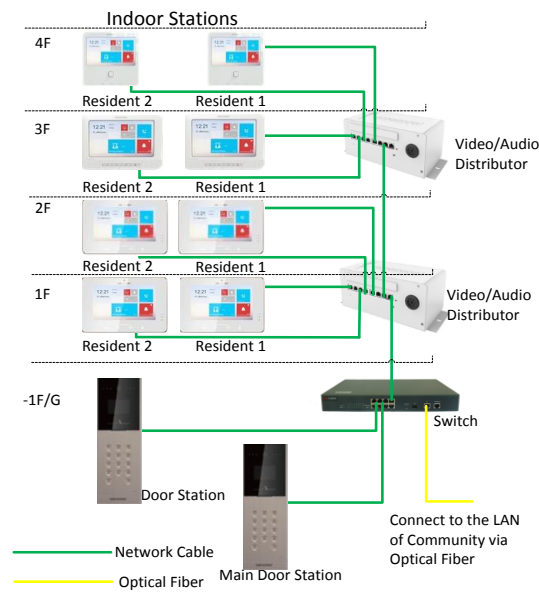
AVAILABLE MODELS

DS-KD8002-VM

MAIN FEATURES

- Video intercom function
- HD video surveillance (Max. resolution 1280 × 720@25fps, WDR, 120° wide angle)
- Self-adaptive light supplement
- Access control function
- Activating card via local station function (This function will be invalid if the card has been activated via iVMS-4200)
- Auto-uploading captured pictures to FTP or iVMS-4200 Client while unlocking the door
- Door magnetic alarm and tamper-proof alarm function
- Noise suppression and echo cancellation
- Remote upgrade, batch setting, upgrade via USB flash disk functions

TYPICAL APPLICATION



SPECIFICATION

| Model | DS-KD8002-VM | |
|---------------------------|-----------------------------|---|
| Parameters | | |
| System Parameters | Processor | High-performance Embedded SOC Processor |
| | Operation System | Embedded Linux OS |
| Video Parameters | Camera | CMOS Low Illumination 1.3 MP HD Colorful Camera |
| | Video Compression Standards | H.264 |
| | Resolution | 1280 × 720 |
| | Video Frame | PAL: 25 fps, NTSC: 30 fps |
| Display Parameters | Display Screen | 3.5-Inch Colorful TFT LCD |
| | Resolution | 480 × 320 |
| | Operation Method | Physical Touch Keypad |
| | Operation Interface | LCD Display, Easy Menu |
| Audio Parameters | Audio Input | Built-in Omnidirectional Microphone |
| | Audio Output | Built-in Loudspeaker |
| | Audio Compression Standard | G.711 U |

| Model | DS-KD8002-VM | |
|---------------------------|-------------------------|---|
| Parameters | | |
| | Audio Compression Rate | 64 Kbps |
| | Audio Quality | Noise Suppression and Echo Cancellation |
| Access Control Parameters | Internal Card Reader | Built-in IC Card Reader |
| | External Card Reader | Wiegand 26, Wiegand 34, or RS485 IC Reader |
| | Door Magnetic Detection | Detecting Door Magnetic Status |
| Light Supplement | Light Supplement Mode | Visible Light Supplement |
| Network Parameters | Ethernet | 10M/100M/1000M Self-Adaptive Ethernet |
| | Network Protocol | TCP/IP, SNMP, SIP, RTSP |
| Alarm Parameters | Alarm Input | Door Magnetic Alarm, Tamper Alarm |
| Device Interfaces | Internet Access | 1 RJ45 10M/100M/1000M Self-Adaptive Ethernet Access |
| | RS-485 | 1 RS485 Half-Duplex Port |
| | IO Input | 8 |
| | IO Output | 4 |
| | Wiegand | 1 Wiegand Port for Accessing Wiegand IC Card Reader |
| | USB | 1; USB2.0, Supporting U-disk |
| Other Parameters | Material | Aluminum Alloy |
| | Power Supply | 12V DC |
| | Consumption | ≤12 W |
| | Working Temperature | -40° C to +70° C (-40° F to 158° F) |
| | Working Humidity | 10% - 90% |
| | IP Protection Level | IP65 |
| | Dimension | 418 mm × 145 mm × 61 mm (16.5 × 5.7 × 2.4") |
| Certification | FCC, CE | |