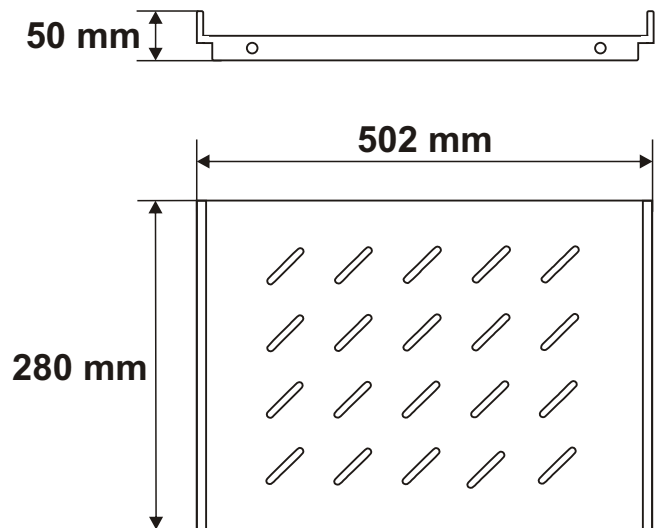


CODE : RAPS450A v1.0/1
 NAME: Fixed shelf 500x280 for RACK cabinet, type RWA

EN



INTENDED USE

The fixed shelf is intended for a 450mm deep RACK cabinet, type: RWA. Due to the shelf, the RACK cabinet can accommodate devices that are not housed in a RACK 19" enclosure.

SPECIFICATIONS

| | |
|---------------------------------|--|
| External dimensions: | W=502, H=50, D=280 [mm, +/-2] |
| Dimensions of the shelf: | W=500, D=280 [mm, +/-2] |
| Net/gross weight: | 1,62 / 1,70 [kg] |
| Materials: | 1,2 mm steel sheet, RAL 9004 |
| Static load: | 60 kg |
| Use: | inside |
| Notes: | - four-point fixing to the side RACK rails - mounting set includes: 4 M6 screws, cage nuts, plastic washers |