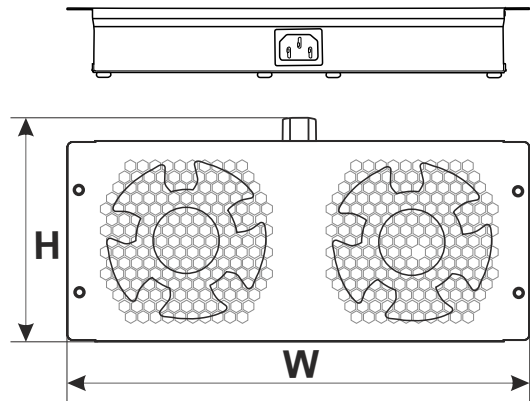
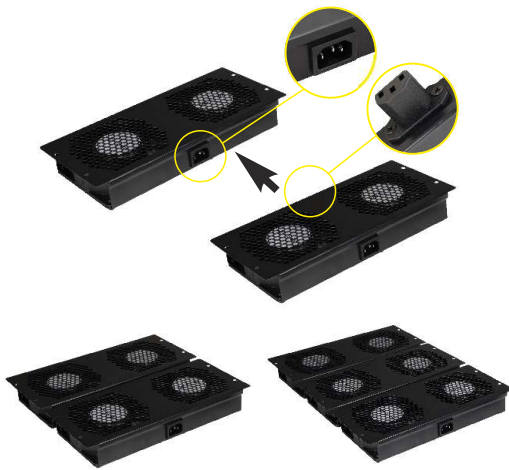


CODE: **RAWP** v1.0/II
 NAME: **Panel of two fans for RACK cabinets of the RS / ZRS type**



The possibility of cascade connection of fans



	RACK 19" cabinet depth:		
	600mm	800mm	1000mm
1x RAWP	✓	✓	✓
2x RAWP	—	✓	✓
3x RAWP	—	—	✓

APPLICATION

The fan panel is to be mounted in the top plate of RACK cabinet. It forces air circulation inside the cabinet. It is mounted outside of the RACK cabinet. The set includes a detachable 230VAC wire.

TECHNICAL DATA

Dimensions:	W=297, H=149, D=47 [mm, +/-2]
Net/gross weight:	1.48 / 1.58 [kg]
Finish:	- 1.2mm cold rolled steel sheet (SPCC), color RAL 9004 - Two 230VAC fans with a capacity of 2 x 50+110CBM/H
Power consumption:	2x (230VAC / 50Hz, 22W)
Application:	Indoor
Notes:	- Mounting to the top plate of RACK cabinet - The possibility of cascade connection of fans - 230VAC LZ=2m wire - Designed for version 1.1 of the RACK floor standing cabinets with depths of 600 ÷ 1000mm

Mounting to the top plate of RACK cabinet



End caps

Removed caps

Fan

Mounted fan