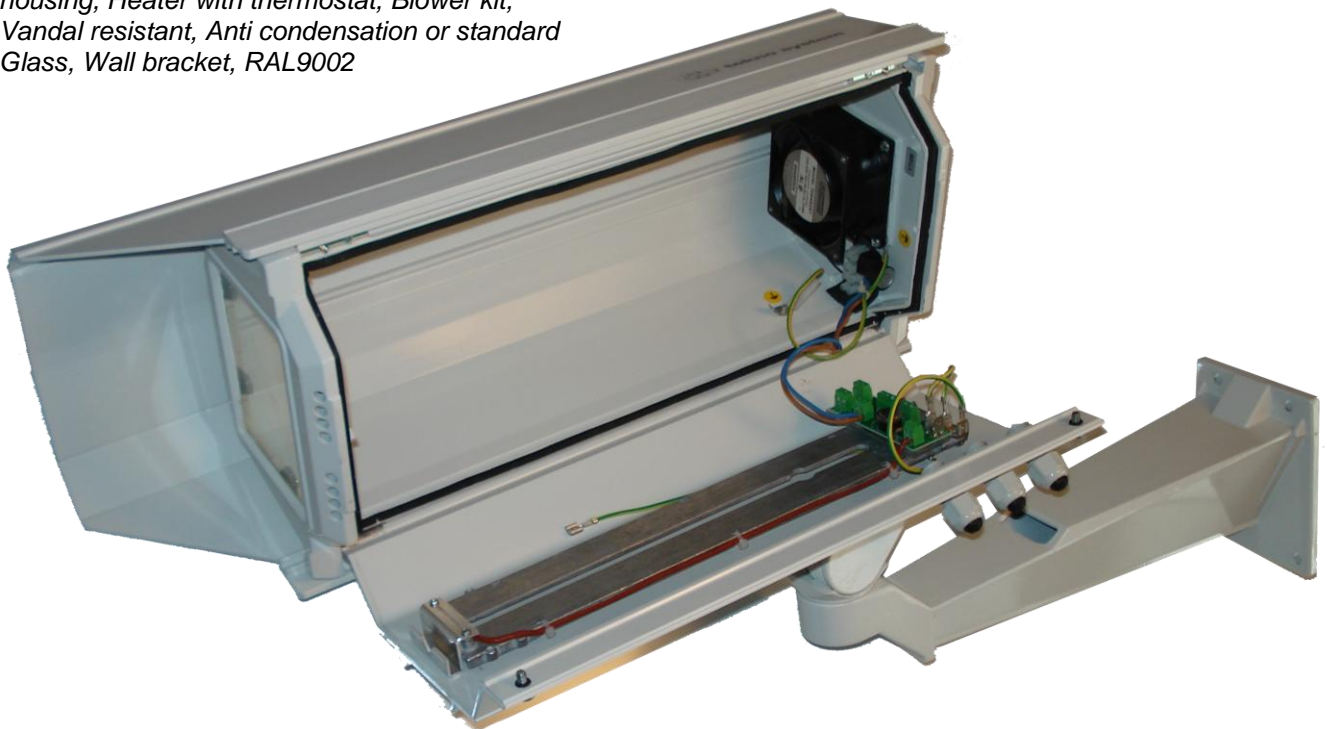


LINEA 3 Camera Housing

Linea 3

Large capacity, Side opening, Weatherproof housing, Heater with thermostat, Blower kit, Vandal resistant, Anti condensation or standard Glass, Wall bracket, RAL9002



LARGE CAPACITY

To host many types of different big zoom lenses

FULL OPTIONAL

To mount this camera housing in every environment, from where vandal resistance features might be required to where rough environment conditions make anti-condensation glass and other accessories necessities

SIDE OPENING

To make easy the fixing of big zoom lenses

SUITABLE FOR OUTDOOR AND INDOOR

Weatherproof rated, sunshield, heater with thermostat and blower kit make it suitable for rough climatic conditions



tekno system[®]
Italian design for CCTV since 1979

Tekno System S.p.A.
Via Rostoncello, 1 - 36010 Carrè - Italy
Phone: +39 0445 314324 | Fax: +39 0445 314319
Email: info@teknoystem.eu | Web: www.teknoystem.eu

rev. 030310

Page 1 / 3










TECHNOLOGY HIGHLIGHTS

- ✓ Entirely made of aluminium
- ✓ Polyester powder coating
- ✓ Large capacity to host big lenses
- ✓ Side open system

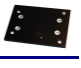




MODELS

ORDER CODE	Heater	Sunshield	Wall bracket	IP Rate
CH3				IP65
CH3 + HT3	•			IP65
CH3 + SS3		•		IP65
CH3 + SS3 + HT3	•	•		IP65

ACCESSORIES

HT3	Heater with thermostat	
V3	Blower kit with thermostat	
AL3	Power supply	
SS3	Sunshield	
VC3	Anti-condensation glass	
VA3	Vandal-proof glass	
EL	Camera height adjustment kit	
SE	Adapter for P&Ts	
BW3H3	Wall mount bracket	

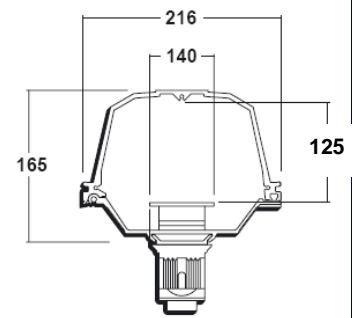
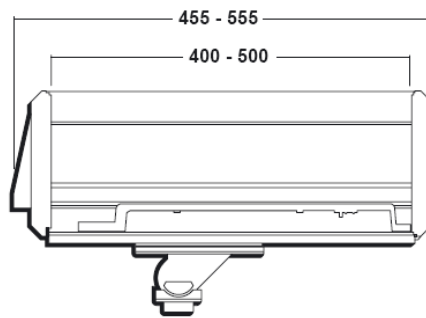
RELATED PRODUCTS

BW3/PA	Adapter plate for PA/1, PA/2 and CM	
PA/1	Pole mount adapter for one bracket (BW3/PA required)	
PA/2	Pole mount adapter for two brackets (BW3/PA required)	
CM	Corner mount adapter (BW3/PA required)	
R2B50	Bracket for illuminators (SE required)	



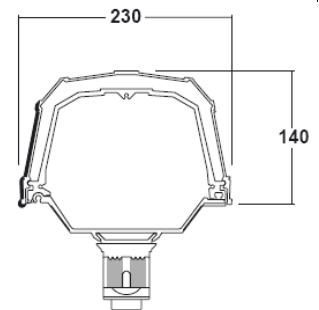
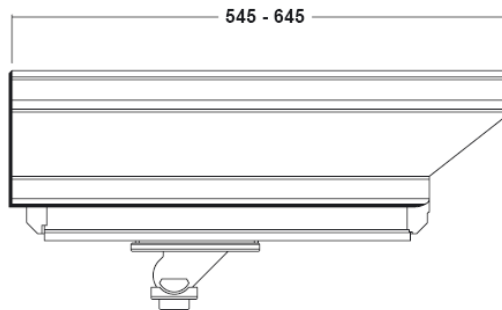
CUSTODIA - HOUSING

	400mm	500mm
Peso della custodia (Kg)	4,40	4,95
Weight of the housing (Kg)	4,40	4,95



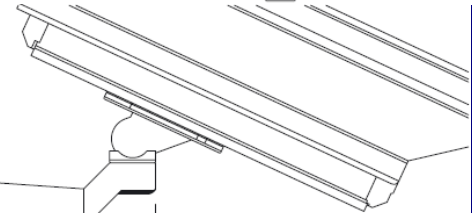
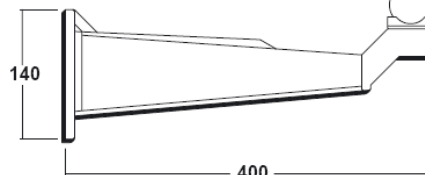
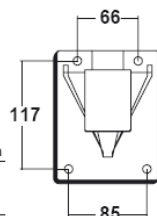
TETTuccio - SUNSHIELD

	400mm	500mm
Peso del tettuccio (Kg)	1,90	2,05
Weight of the sunshield (Kg)	1,90	2,05



SUPPORTO E SNODO - BRACKET AND SWIVEL HEAD

	400mm	500mm
Peso del supporto e snodo (Kg)	1,65	
Weight of the bracket and swivel head (Kg)	1,65	



SPECIFICATIONS

General

- Die-cast and extruded aluminum
- Internal dimensions: 110x125 / 145x120 mm (WxH); length 400mm-500mm
- Opening: side opening, tilting upper shell
- Standard colour: white RAL9002
- Supplied with housing:
 - 1/4" screw to fix the camera
 - silica gel bag
 - installation/service manual

Mechanical

- Reference standards: 72/23/EEC;89/336/EEC
- Finish:
 - pre-treatment and anodisation
 - pre-treatment and polyester powder coating
- Cable entry: no.3cable glands M16x1,5
- Windows:117x93mm (WxH),5mm thick glass
- Screws:zinc coated steel

Electrical

- Heater Thermostat Ton 15°C (59°F) ± 5°C Toff 22°C (71.6°F) ± 4°C
- Heater PTC 12V 7W
- Blower Thermostat Ton 37°C (98.6°F) ± 4°C Toff 27°C(80.6°F) ± 3°C
- Blower with double air filter, consumption 12VDC 1W (only Blower Kit version)

Environment

- Indoor / Outdoor applications
- IP weatherproof rating:65 (EN60529) (IP44 only Blower Kit version)
- Temperature range with heater: -20°C (-4°F) up to +50°C (+122°F)
- CE according to EN61000-6-3, EN60950, EN50130-4
- Fully compliant detection, disconnect and voltage control IEE802.3af
- RoHS compliant

Technical data and product features might be modified without any warning.



tekno system[®]
Italian design for CCTV since 1979

Tekno System S.p.A.
Via Rostoncello, 1 - 36010 Carrè - Italy
Phone: +39 0445 314324 | Fax: +39 0445 314319
Email: info@teknoystem.eu | Web: www.teknoystem.eu

rev. 030310

Page 3 / 3