

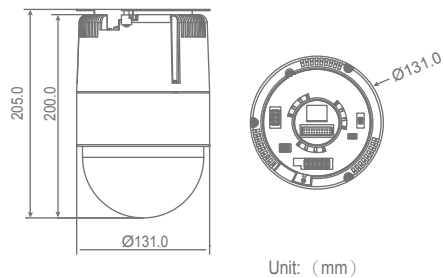
High Speed Dome Camera

DynaHawk™ 510 / 610 Series



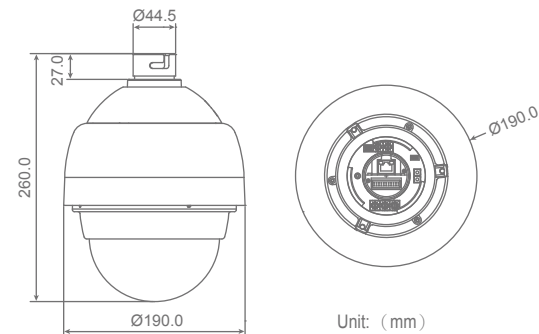
Dimension

DH510 Mini Speed Dome Camera



Dimension

DH610 Mini Speed Dome Camera



Features

Precise and Accurate Dome Camera Performance

- NEW** • High Resolution up to 650 TV lines
 - Preset speed up to 400°/sec.
- NEW** • Preset resolution of 0.1°
 - 360° Endless Pan
 - Proportional Pan & Tilt Speed
 - Preset Positions / Auto-Pan / Sequence / Cruise
 - Auto-Calibration
 - Digital / Mechanical Image Flip (180°)

Dynamic Dome Camera Applications

- Schedule function
- Multiple built-in protocols
- Extraordinary lightweight design for easy installation
- Vandal proof dome cover*
- Weatherproof housing (DynaHawk™ 610 series)
- Flexible indoor / outdoor mountings
- 16 Privacy Masks
- Motion Detection

Note: Items marked with an asterisk (*) are optional

Superior Camera Image Quality

- 12× Optical Zoom
- 12× Digital Zoom
- Digital Slow Shutter
- Backlight Compensation
- Auto Focus
- Auto White Balance
- Auto Gain Control
- Auto Iris Control
- Auto-Calibration
- Removable IR Cut Filter
- Minimum Illumination: 0.1 Lux, 0.01 Lux (B/W)
- NEW** • Wide Dynamic Range
- NEW** • 2D / 3D Noise Reduction

Optional Network Functions

- NEW** • H.264 and MJPEG compression
- NEW** • D1 Real-time resolution
- NEW** • 3D de-interlaced support

Specification

Item	DH510	DH610
Camera		
CCD Sensor	1/4" Sony CCD	
Optical Zoom	12x	
Digital Zoom	1x ~ 12x variable	
Effective Pixels	NTSC	380 k / 480 k
	PAL	440 k / 570 k
Horizontal Resolution	540 TVL / 650 TVL	
Scanning System	NTSC / PAL	
Synchronization	Internal / Line Lock	
Video Output	1.0 Vp-p / 75 Ω, BNC	
Minimum Illumination	0.1 lux; 0.01 lux (B/W)	
Focal Length	3.8 ~ 45.6 mm	
Focus Mode	Auto / Manual	
White Balance	Auto / Manual / Indoor / Outdoor	
Iris Control	Auto / Manual	
Electronic Shutter	1/1 ~ 1/10k sec.	
AGC Control	Auto / Manual	
Back Light Compensation	On / Off	
Operation		
Built-in Protocol	DSCP, Pelco P, Pelco D, AD422, Philips, Kalatel, VCL, JVC, etc.	
Multi-language OSD	English, French, German, Italian, Portuguese, Spanish	
Pan Travel	360° endless	
Tilt Travel	-10° ~ 190°	
Manual Speed	1° ~ 80°/s	
Presets	256	
Preset Resolution	0.1°	
Preset Speed	10° ~ 400°/s	
Sequence	8	
Auto-Pan	4	
Cruise	8	
Privacy Mask	16	
Proportional Pan & Tilt	On / Off (Pan and tilt speed is proportional to zoom ratio)	
Resume after Power Loss	Yes	
Zone Title	16	
Home Function	Preset, Sequence, Auto-Pan, Cruise	
Auto-Flip	Digital / Mechanical / Off	
Digital Slow Shutter	On / Off	
Motion Detection	On / Off	
Wide Dynamic Range	On / Off	
Day / Night: IR Cut Filter	On / Off	
Image Freeze	On / Off	
Image Inverse	On / Off	
Noise Reduction	2D	On / Off
	3D	On / Off
Alarm Input	8	
Alarm Output	1	
Alarm Reaction	Preset, Sequence, Auto-Pan, Cruise	
Network; optional		
Video Compression	H.264 Main Profile, MJPEG	
Video Streaming	Dual H.264 / Simultaneously H.264 + MJPEG	
Video Resolution	D1: NTSC 720 × 480 / PAL 720 × 576	
	CIF: NTSC 352 × 240 / PAL 352 × 288	
Frame Rate	30 fps @ D1 Resolution	
Audio Compression	G.726 ADPCM/ AAC	
Audio Streaming	Full-duplex, Half-duplex, Simplex	
Interface	RJ45, 10/100 Mbps Ethernet	
Protocols	TCP/IP, UDP, HTTP, FTP, SMTP, ARP, ICMP, DHCP, RTP/RTSP	
Alarm	4 digital alarm inputs / 1 alarm output	
Alarm Reaction	Preset, Sequence, Auto-Pan, Cruise	
Security	User Account and Password Protection	
General		
Environment	Indoor	Outdoor
Controller Interface	RS-485	
Operating Temperature	0 °C ~ 40 °C (32 °F ~ 104 °F)	-30 °C ~ 45 °C (-22 °F ~ 113 °F)
Weatherproof Standard	IP66 Standard	
Dimension	Ø 131 × 200 mm (Ø 5.2 × 7.8 inches)	
	Ø 172 × 260 mm (Ø 6.8 × 10.2 inches) Ø 190 × 260 mm (Ø 7.5 × 10.2 inches), with sunshield	
Weight	1.2 kg (2.6 lbs)	2.1 kg (4.6 lbs)
Power Source	DC 12V / AC 24V±10%	
Power Consumption	18 W	52 W (with heater)
Regulatory	CE, FCC, RoHS	

Product specification and availability subject to change without notice. Certain product names mentioned herein may be trade names and / or registered trademarks of their companies.