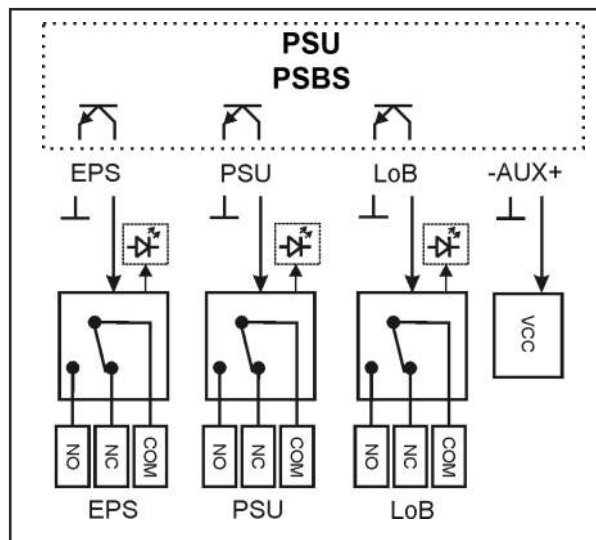
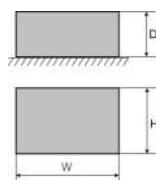


CODE: **MPSB** v.1.0/II
NAME: **PSBS technical outputs relay module**

EN**



DESCRIPTION

The MPSBS relay module of technical outputs is designed to change the OC (open collector) outputs to relay outputs in buffer power supplies of the PSBS 13,8V and PSBS 27,6V series. The LEDs on the PCB indicate the status of the individual relays. Power supply input of the module is protected against reverse connection of power supply.

SPECIFICATIONS

Supply voltage	10V ÷ 30V DC
Current consumption	40 mA ÷ 65 mA @ $U_{IN} = 10V \div 30V$ DC
Technical outputs (relay type)	3 x 1A@ 30V DC/50V AC EPS, PSU, LoB - technical outputs, relay outputs. Module does not feature a battery detection function. In the case of no battery or non battery connected, the output is in the normal mode.
Optical indication	Green LEDs - relay outputs status
Operating conditions	II environmental class, -10°C ÷ +40°C
Dimensions	66,5 x 39,5 x 18 (WxHxD) [mm] (+/-2)
Mounting	Mounting strip with adhesive tape
Connectors	Φ0,41÷1,63 (AWG 26-14)
Net/gross weight	0,04kg / 0,06kg
Declarations, warranty	CE, RoHS, 5 years from the production date