

## Lock for casings: MR008 / MR027

---

- two keys included
- compatible with casings for SSWiN
- MR008: various code lock, type 802
- MR027: repeatable code lock 9081, type 876



## Key: MR009 (raw material)/ MR042 (key to lock MR027)

---

- compatible with locks MR008/MR027



## Tamper (antisabotage switch) : ML101

---

- contacts C/NO (C/NC closed casings)
- switched current 0,5A@30Vdc /50Vac max.
- compatible with casings for SSWiN (grip Pw050 required)



## Tamper grip : PW050

---

- destined for assembling ML101 in casing



## Built-up tamper 16mm: PKAZ005

---

- contacts C/NO (C/NC closed casings)
- switched current 0,5A@30Vdc /50Vac max.
- compatible with casings for SSWiN
- set contains cables and mounting screws



## Angular muff: ML062

---

Material - brass

Color - natural

Installation:

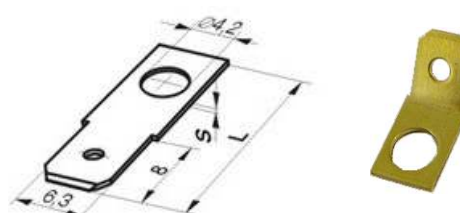
- hole 4,2 mm,

- connector M 6,3mm (6,3/J2,5)

Dimensions:A/B/C/L/S [mm. +/-0,2]

- --/--/5,1/18,3/0,8

- compatible with batteries 17Ah/12V (SLA)



## Mounting pin: PW100

Material - polyamide 66

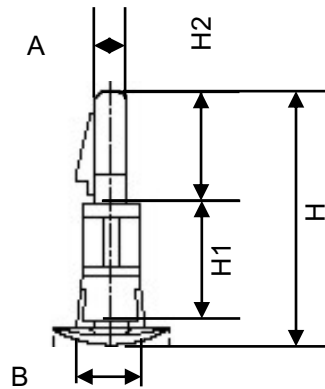
Color - natural

Installation:

- into plate hole 4,0 mm,
- into metal sheet hole 6,0 mm,
- material thickness 0,7-1,6 mm;

Dimensions: H/H1/H2/A/B [mm. +/-0,2]

- 21,0 / 8,1 / 11,0 / 4,0 / 5,8



## Mounting pin: MM 051

Material - nylon 66

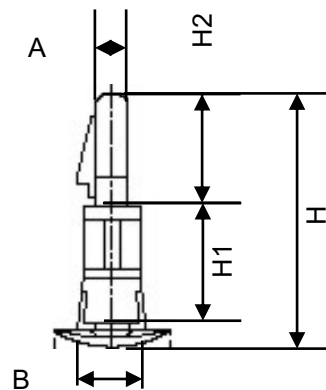
Color - natural

Installation:

- into plate hole 3,2 mm,
- into metal sheet hole 4,8 mm,
- material thickness 0,7-1,6 mm;

Dimensions: H/H1/H2/A/B [mm. +/-0,2]

- 21,0 / 7,9 / 8,7 / 3,1 / 4,6



## Spacer pin adhesive Ø6: MM 054

- 100 pieces in a single package
- mounted on double sided tape

