

PMK-01 Pivot Mounting Kit

Product Introduction

Date: May 30, 2008

Version: 2.0

Content

- Market Position
- Selling Points
- Product Features
- Comparison Table
- Product Pictures
- Specification Overview
- Accessories

Market Position

PMK-01

The PMK-01 is perfect for museums, information kiosks or other public and multi-user environments. Made from durable steel and die-casting aluminum, the PMK-01 complies with VESA standards and supports displays up to 14 kg. Three pivots allow for a broad 270° rotation of the display, 180° up and down tilt, as well as 180° left to right swivel. The convenient slide in-and-out wall mount bracket allows for easy removal of the display.



Selling Points

PMK-01 Overview

- Easy-to-use design
- Slide in-and-out wall mount bracket
- Multi-directional pivots
- 180° swivel left and right
- 180° pivot up and down
- 270° display rotation
- Compatible with VESA standard
- Weight capacity: 7 ~ 14 Kg (15.4 ~ 30.9 lbs)

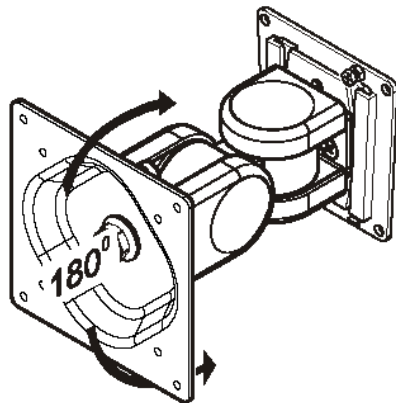


Product Features (page 1)

Multi-directional Pivots

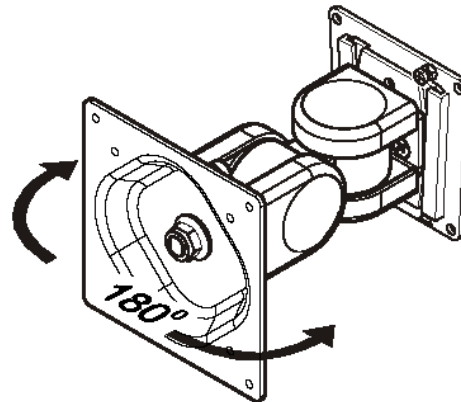
- 180° pivot up and down
- 180° swivel left and right
- 270° display rotation

Illustration 1



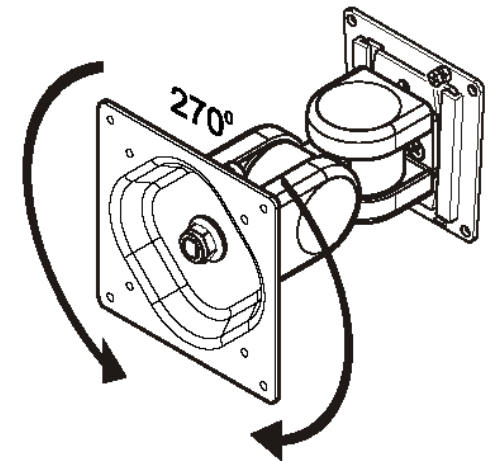
Pivot Up/Down

Illustration 2



Swivel Left/Right

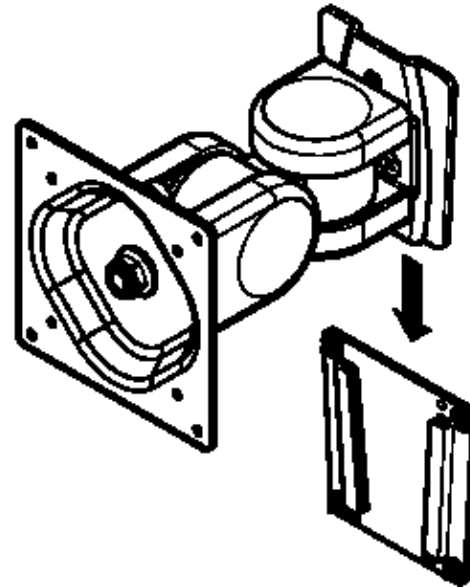
Illustration 3



Display Pivot

Product Features (page 2)

Slide In-and-out Wall Mount Bracket



Comparison Table

PMK-01 VS. PMK-02

	VESA Standard	Display Pivot	Pivot Left & Right	Pivot Up & Down	Weight Capacity	Net Weight
PMK-01	Yes	270°	90°/ 90°	90°/ 90°	7~14Kg	1.5Kg
PMK-02	Yes	360°	45°/ 45°	15°/ 20°	3.5~8.5Kg	0.7Kg



Pivot Mounting Kit
(PMK-01)



Pivot Mounting Kit
(PMK-02)

Product Pictures

Front / Angle View



Specification Overview

PMK-01 Specifications

Mounting	Display	VESA Standard (75 x 75mm & 100 x 100mm)
Loading	Weight Capacity	7~14 Kg (15.4~30.9lbs)
Pivot	Left	90°
	Right	90°
	Up	90°
	Down	90°
	Display	270°
Exterior	Material	Steel and die-cast aluminum
	Surface Finish	Electronic dipping
	Colour	Black
Product Dimensions		115 x 115 x 131 mm
(W x H x D)		(4.5" x 4.5" x 5.2")
Packing Dimensions		120 x 120 x 145 mm
(W x H x D)		(4.8" x 4.8" x 5.7")
Product Weight		1.5Kg (3.3lbs)
Packaged Product Weight		1.6Kg (3.5lbs)

► All specifications are subject to change without prior notice

Accessories

Mounting Solutions

Wall Mount Kit



WMK-01



WMK-02

Pivot Mounting Kit



PMK-01



PMK-02

Display Stand, Arm & Others

Height Adjustable Stand



ES-01

Display Arm



AG-01

HDMI-DVI Cable



CB-01



Thank You

All specifications are subject to change without prior notice.

© 1999-2008 AG Neovo. All rights reserved.

The name AG Neovo is a trademark of Associated Industries China, Inc.

All other trademarks are the property of their respective owners.

www.agneovo.com