

## SVR-116+ Network Video Recorder -

Reliable Network Video Recorder with Extended Storage Capacity and Safety



- Manage up to 16 Network Cameras
- Compatible with 30 Brands Cameras
- High Quality Live/Playback Video
- Export Playback Videos to AVI
- Web-based GoogleMap Event Alert

- Digital PTZ on Live and Playback Videos
- Built-in DI/DO for Event Management
- Support E-SATA External Storage
- RAID 0, RAID 1, JBOD support
- Max. Storage Capacity of 12TB
- Two-way Audio
- Support External UPS
- SEEnergy Smart Camera Search
- Mobile Devices Remote Monitoring
- Pure Web Based Administration

256CH CMS  
FREE Bundled!!

The SEEnergy SVR-116+ is designed for use within a surveillance system, and performs recordings and playbacks pictures from network cameras in the system. It is designed for small-to-medium scale applications such as retail store and the system is expanable for multi-sites management with the bundled 256CH CMS software. Up to 16 cameras can be connected via a network and it is possible to record their camera pictures. It is possible to perform the settings or operate the NVR using a web browser installed on a PC connected to a network and live videos can be viewed on major mobile devices through its web browser. Recorded video can be played back from remote site by a PC. With the external E-SATA interface, the storage capacity can be extended to a whopping 12TB. The NVR is also capable of RAID 0 and RAID 1 which provides file redundancy. Up to 4 PCs (web browsers) can access this unit concurrently and it is possible to perform the settings and operate this unit. The NVR is compatible with most major brand cameras and its ability to automatically search and find the available cameras on the network can greatly reduce the user effort when expanding the system.

### SEEnergy Corp.

4F, No.61, Dongsing RD.,  
Taipei 110, Taiwan, R.O.C.

Tel: 886-2-8768-1518

Fax: 886-2-8787-8560

E-mail: sales@seenergy.com.tw

www.seenergy.com.tw

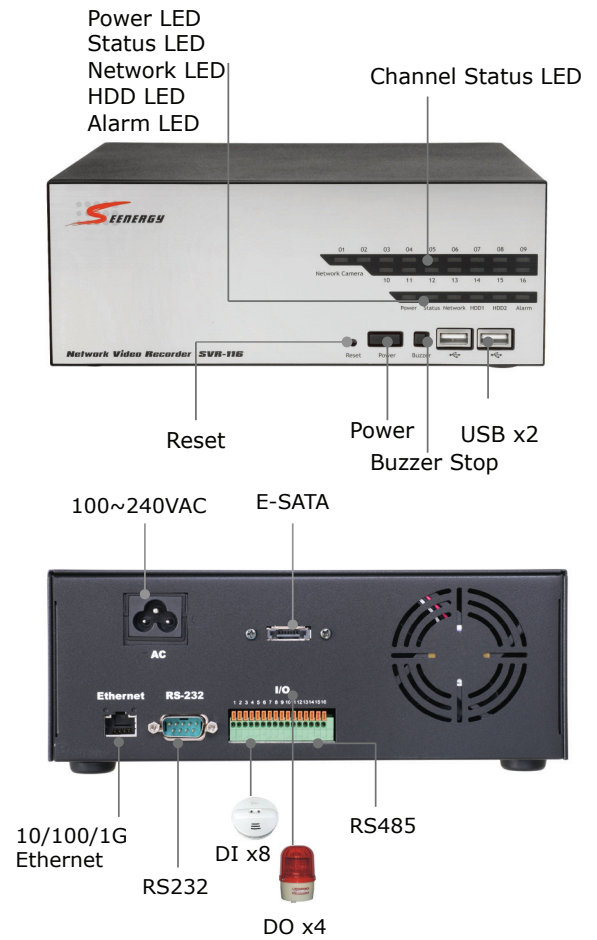


©2007, SEEnergy Corp. The SEEnergy logo is a registered trademark of SEEnergy Corp. All other company names and products are trademarks or registered trademarks of their respective companies. The specification is subject to change without prior notice. SEEnergy endeavors to ensure that the information in this document is correct and fairly stated but does not accept liability for any error or omissions.

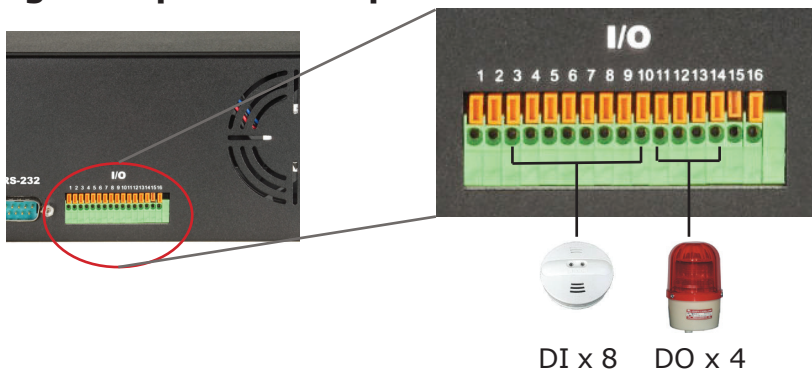
Preliminary

## Hardware Specifications

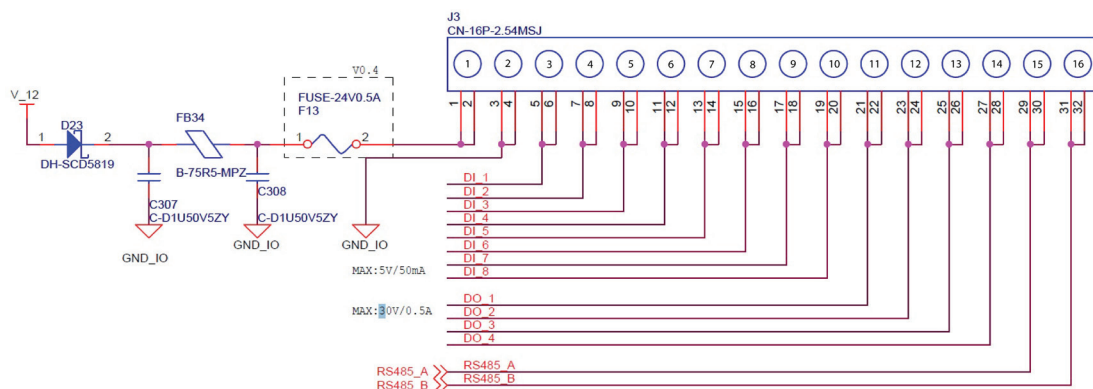
<b>CPU &amp; Memory</b>	<ul style="list-style-type: none"> <li>ARM9 500Mhz/128MB DDR RAM</li> </ul>
<b>Ethernet</b>	<ul style="list-style-type: none"> <li>10BaseT / 100BaseT/1GBaseT and half duplex / full duplex auto-negotiation duplex auto-negotiation</li> </ul>
<b>HDD</b>	<ul style="list-style-type: none"> <li>SATA Internal x 2 (Max. 4TB, 2TB/HDD)</li> <li>SATA External x 1 (Max. 8TB, 2TB/HDD)</li> <li>Total Capacity: 12TB</li> </ul>
<b>LED</b>	<ul style="list-style-type: none"> <li>Cameras/Power/System/Network/HD/Alarm</li> </ul>
<b>Buttons</b>	<ul style="list-style-type: none"> <li>Reset/Power/Buzzer</li> </ul>
<b>Connectors</b>	<ul style="list-style-type: none"> <li>USB x 2</li> <li>RS-485</li> <li>DI/DO Connectors</li> <li>RS-232</li> <li>E-SATA</li> </ul>
<b>Power</b>	<ul style="list-style-type: none"> <li>19V DC/90W</li> </ul>
<b>Dimensions</b>	<ul style="list-style-type: none"> <li>220 x 215 x 81 mm</li> </ul>
<b>Weight</b>	<ul style="list-style-type: none"> <li>10lbs</li> </ul>
<b>Temperature</b>	<ul style="list-style-type: none"> <li>Operating: 5 °C ~ 45 °C/41 °F ~ 113 °F</li> <li>Storage: -40 °C ~ 70 °C/-14 °F ~ 158 °F</li> </ul>
<b>Humidity</b>	<ul style="list-style-type: none"> <li>5% ~ 90% (non condensing)</li> </ul>
<b>Safety</b>	<ul style="list-style-type: none"> <li>FCC Class A/CE/UL</li> </ul>



## Digital Input and Output



Pin	Signal
1	12V DC
2	GND
3~10	Alarm input
11	Out1
12	Out2
13	Out3
14	Out4
15	RS485+
16	RS485-



## Software Specifications

### Cameras

<b>Add Camera</b>	Manual/SEEnergy Smart Camera Search
<b>Max. Channels</b>	16
<b>Supported Brands</b>	Axis/Sony/Panasonic/AVTech/Canon/D-Link/ACTi/Zavio/AMTK/Vivotek/Arecont Vision/Etrovision/Level 1/Mobotix/Toshiba/Abus/Planet/Pixord/IQInvision/A-Linking/Brickcom/Hunt/Compro/AirLive/Nadatel/Sanyo/HIKVision

### Video

<b>Compression</b>	MJPEG/MPEG-4 Part 2/H.264
<b>Resolution</b>	5 MP/HD/MegaPixel/FD1/CIF/QCIF
<b>Max. Frame Rate</b>	480 fps (D1, H.264)

### Audio

**Streaming** Two-way audio

### Live View

<b>Display Mode</b>	Live View/Playback/Full Screen
<b>Split Screen</b>	1/4/16, 9/13 (use my favorite mode)
<b>Full Screen</b>	1/4/16, 9/13 (use my favorite mode)
<b>PTZ Support</b>	Virtual PTZ Panel/Auto Pan/Preset Point/Preset Sequence/Digital PTZ
<b>Sequence Mode</b>	Sequence All/Manually Selected cameras in 1/4 split view with configurable timer
<b>Snapshot</b>	Video snapshot in JPEG format
<b>E-Map</b>	Motion Detected Event Display on E-Map/Google Map
<b>Mobile Device</b>	Live image view through mobile device's web browser Support iPhone/Blackberry/WinMo 6.5/Symbian S60

### Playback

<b>Split Screen</b>	1/4
<b>Search Method</b>	Time/Date, Event
<b>Playback Controls</b>	Play/Pause/Stop/Forward/Reverse/Speed Adjust/Frame by Frame
<b>Export AVI</b>	Export Playback Videos to Local Computer in AVI Format

### Recording

<b>Capacity</b>	Depends on hard disk
<b>Recording Mode</b>	Manual/Continuous/Scheduling/Event
<b>Scheduling Types</b>	Manual Select/Profile-based/Weekly Mode

### Network

<b>Protocols</b>	HTTP/SMTP/DHCP/ARP/NTP/DNS/UPnP/FTP
<b>Streaming Protocols</b>	Depend on the supported cameras

### User Management

<b>Management</b>	User/Group
<b>Number of Groups</b>	7 (Administrator/Guest/User Define * 5)
<b>Privileges</b>	Live View/Playback/System Configurations/Camera Configurations/Recording Configuration/Event Configuration/Maintenance

### Triggers & Events

<b>Events</b>	System Events -- System Start, System Settings modified, Camera Settings Modified, Start Recycle, Disk Full Camera Events -- Motion/Sensor Detection
<b>Event Actions</b>	Mail/FTP/Buzzer/Record
<b>Event Recording</b>	Pre/Post Event Settings

### Central Management

<b>Central Management</b>	Support SEEnergy 256CH "π-Vu Central Basic" Central Management Software (CMS)
---------------------------	-------------------------------------------------------------------------------

### Power & Storage

<b>UPS</b>	Support External UPS System
<b>Storage</b>	Support SATA Int. x 2, Max. 4TB SATA Ext. x 1, max. 8TB

**Log Types** Alert/Event/User Access

### Systems

<b>Mini. Hardware Requirements</b>	CPU: Intel Core 2 Duo @ 2.4 Ghz or higher RAM: 1GB or above Network: 100 Megabit Network Interface or above
<b>Mini. Software Requirements</b>	IE Browser version 7 or above

### General

<b>Languages</b>	English/Trad. Chinese/Simp. Chinese/Japanese/Spanish/Italian/German/Danish/Czech/Polish/French/Russian/Slovensky/Hungarian/Portuguese
<b>Packaging</b>	SVR-116+ (HD NOT included)/CD with Software tool/Datasheet/Quick Guide/User's Manual/Warranty Card/Power Adapter

## Application Diagram

