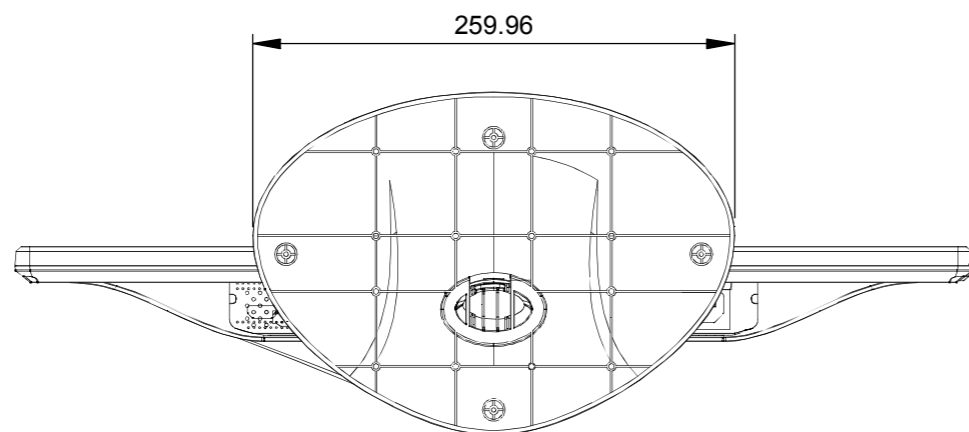
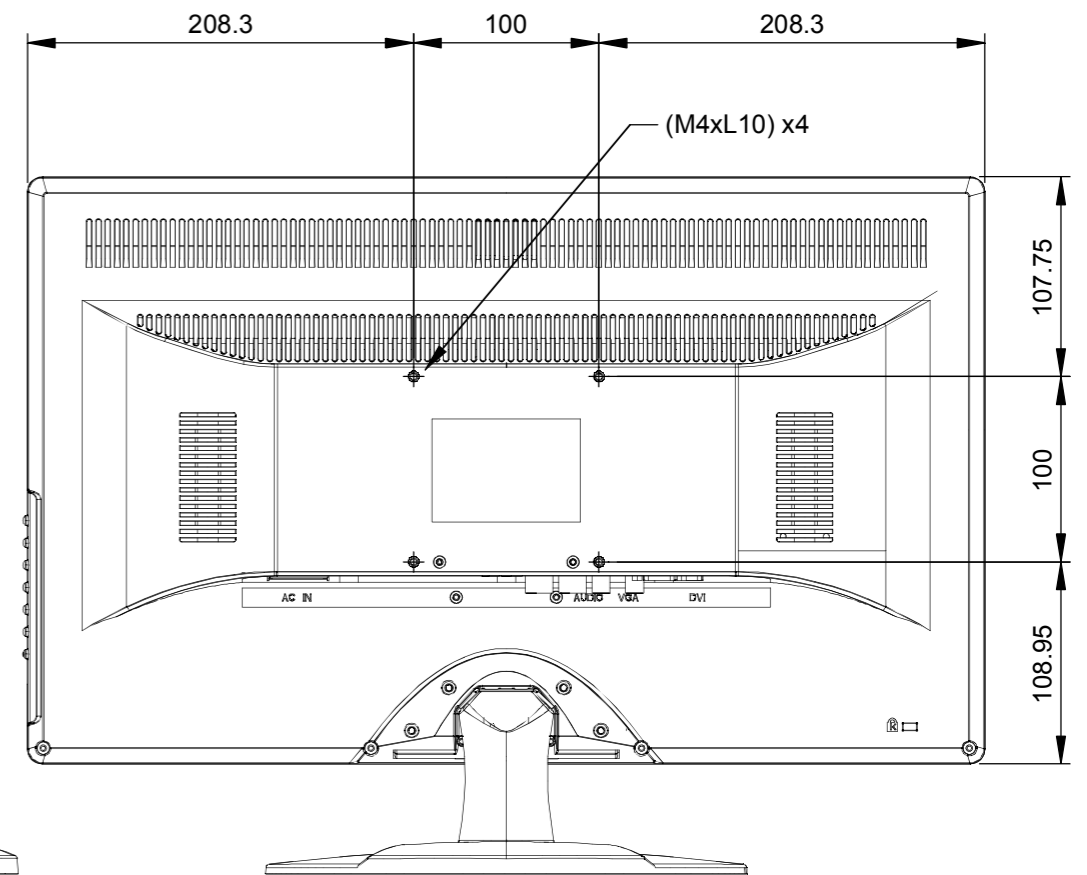
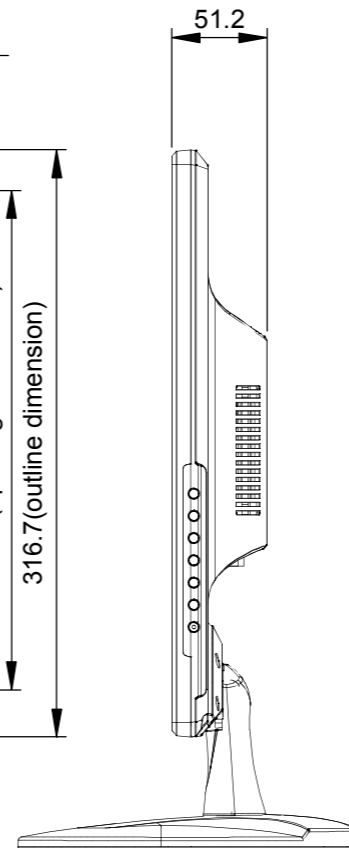
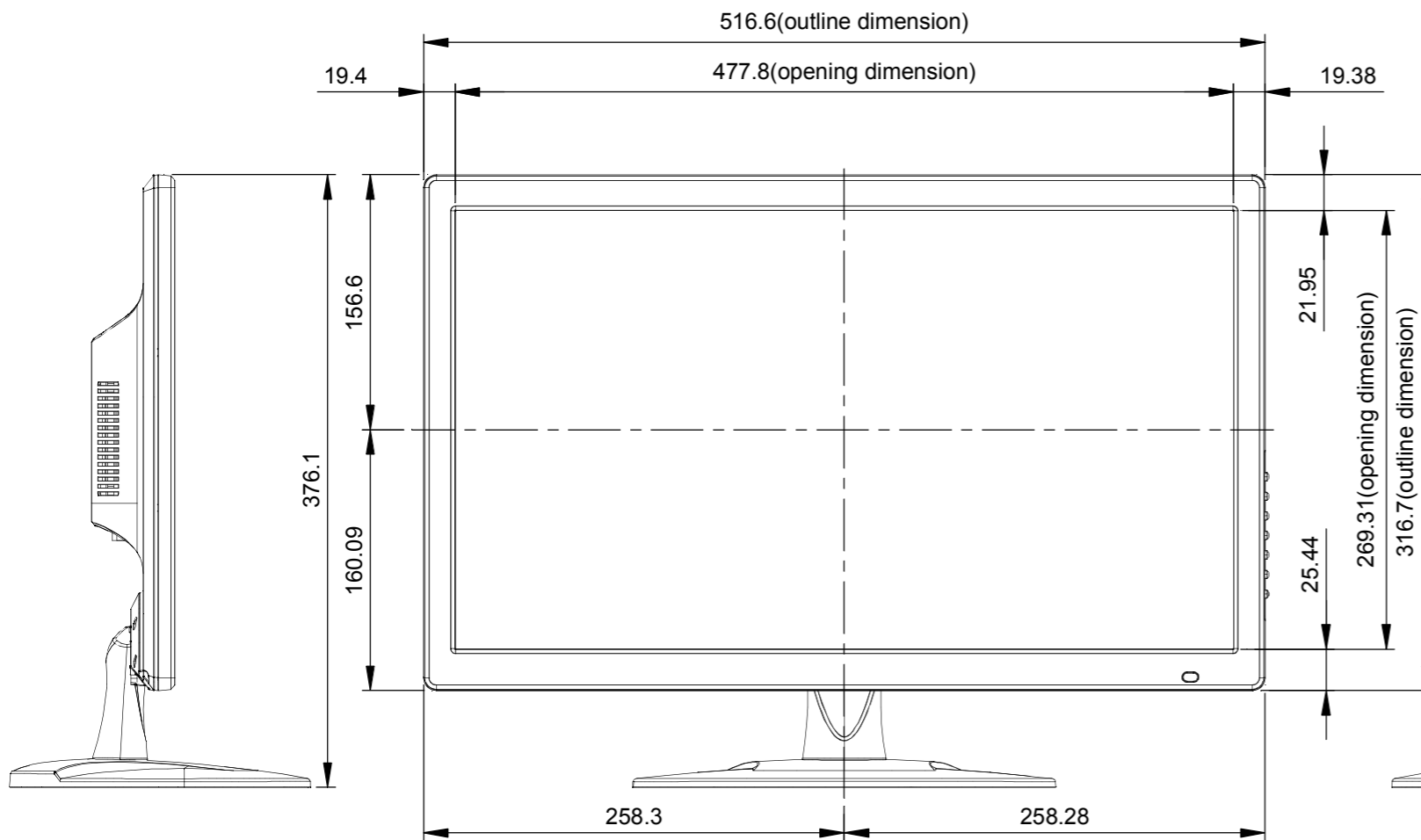


SC-22

Net Weight: 3.43kg (with stand)
3.23kg (w/o stand)



SPECIFICATIONS SUBJECT TO CHANGE WITHOUT NOTICE.



www.agneovo.com

Model Name:

SC-22

THIS DRAWING ON THIS PRINT AND INFORMATION BELONG WITH AG Neovo. ANY REPRODUCTION IN PART OR WHOLE WITHOUT WRITTEN PERMISSION OF AG Neovo IS PROHIBITED.



SCALE 1:1 UNITS MM V.01