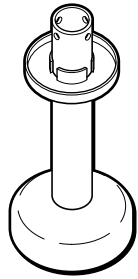


Panasonic

Ceiling Mount Bracket Instructions

Model Nos. WV-Q117/WV-Q117E



Before attempting to connect or install this product, please read these instructions carefully and save this manual for future use.

AM0205-0 3TR003442AAA Printed in Japan

FEATURES

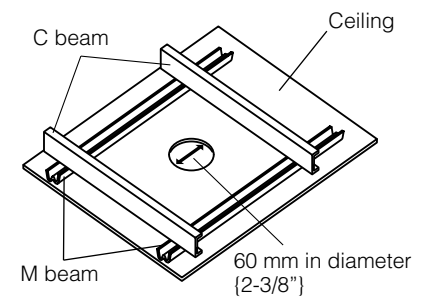
The Ceiling Mount Bracket WV-Q117 is used to mount the Combination Camera WV-CS950 or WV-CS954 on a ceiling.

PRECAUTIONS

- Fasten the bracket to a ceiling strong enough to support the camera weight (approx. 2.9 kg (6.38 lbs)).
 - Wipe the bracket regularly using a soft and dry cloth, or a cloth moistened with a water solution of an ordinary kitchen detergent.
 - Do not use chemicals for cleaning the enclosure as it may damage the surface.
 - All the necessary steps required for installing this product must be taken by a qualified service person or system installer.
 - Be sure to use the anti-fall wire.
 - Do not use this bracket with any equipment other than the WV-CS950 and the WV-CS954.
 - Follow all applicable local and national electrical, fire and safety codes when installing the camera with this ceiling mount bracket.
- The model numbers in this Operating Instructions are shown without suffix.

INSTALLATION

- Decide where to install the camera and open a $\phi 60$ mm (2-3/8") hole in the ceiling.



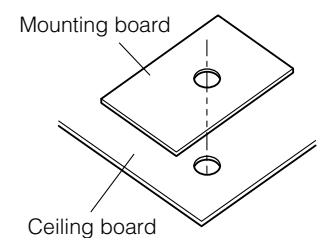
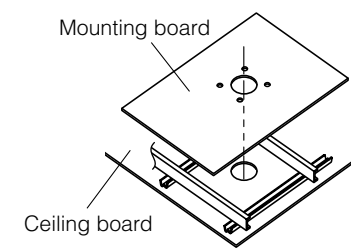
- Setting up the Mounting board.

For suspended ceilings

- Prepare a Mounting board long enough to span the distance between the C-beams, and cut a $\phi 60$ mm (2-3/8") hole in it that matches the hole in the ceiling.
- Use the template (provided) to cut four $\phi 6$ mm (1/4") holes (in four positions) in the mounting board.

For structurally strong ceilings

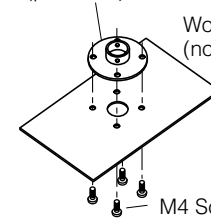
- Prepare the mounting board by cutting a $\phi 60$ mm (2-3/8") hole in it.



- Attach the Ceiling Mount Ring (provided) to the Mounting board. Screws are not provided. Align it with the position the camera will be installed.

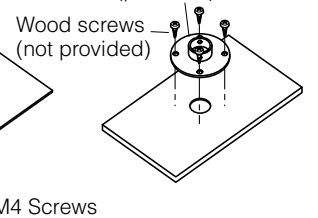
For suspended ceilings

Ceiling Mount Ring (provided)



For structurally strong ceilings

Ceiling Mount Ring (provided)



- Installing the Mounting board.

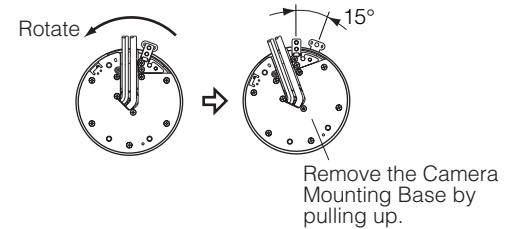
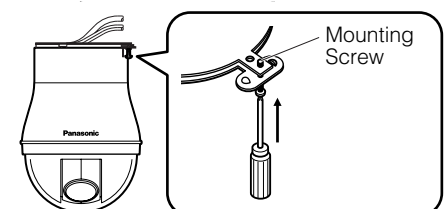
For suspended ceilings

Align it with the hole in the ceiling and lay it across the two C-beams.

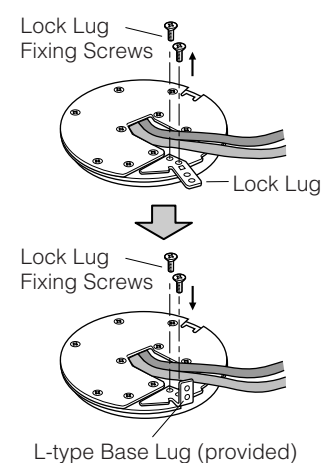
For structurally strong ceilings

Align it with the hole in the ceiling and attach it.

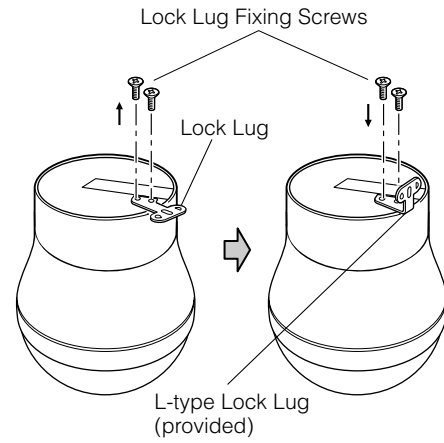
- Remove the Mounting Screw (M3, provided), pull up the Camera Mounting Base off the camera, and turn the camera counterclockwise.



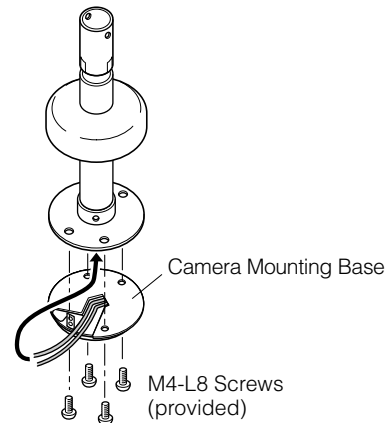
- Remove the two Lock Lug Fixing Screws and replace the Lock Lug with L-type. Retighten the two Lock Lug Fixing Screws (refer to the right figure).



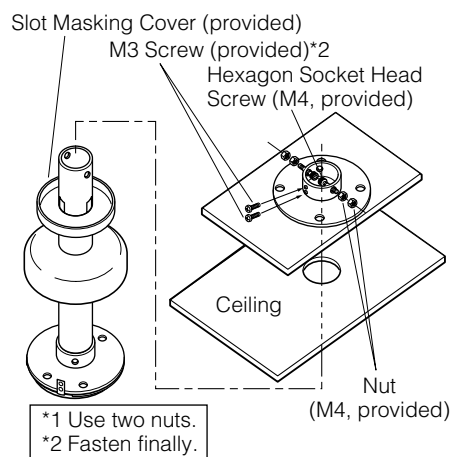
7 Remove the two Lock Lug Fixing Screws and replace the Lock Lug with L-type. Retighten the two Lock Lug Fixing Screws (refer to the right figure).



8 Pass the power cord and video cables of the Camera Mounting Base through the hole in this bracket, and fasten it to the bracket with the four M4-L8 Screws (provided).

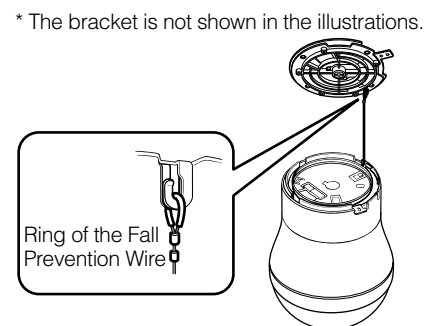


9 Fit the Slot Masking Cover (provided) over the bracket, insert the Hexagon Socket Head Screws (M3, provided) into their holes, and fasten the Ceiling Mount Ring (provided) with the two nuts (M3, provided).

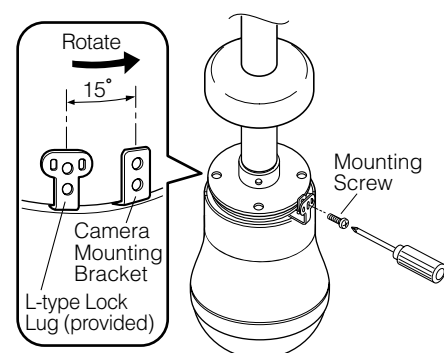


10 Suspend the Fall Prevention Wire for the camera from the Camera Mounting Base.

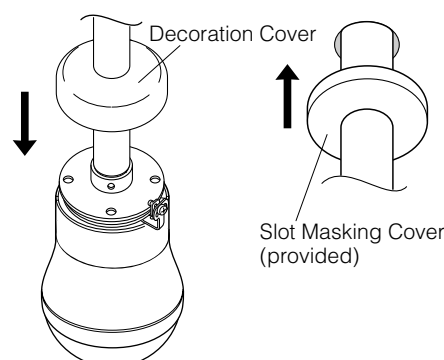
Note: Make sure that the wire matches the Fall Prevention Wire Fixing Angle.



11 Attach the camera to the Camera Mounting Base, turn the camera clockwise, and tighten the Mounting Screw (M3, provided).

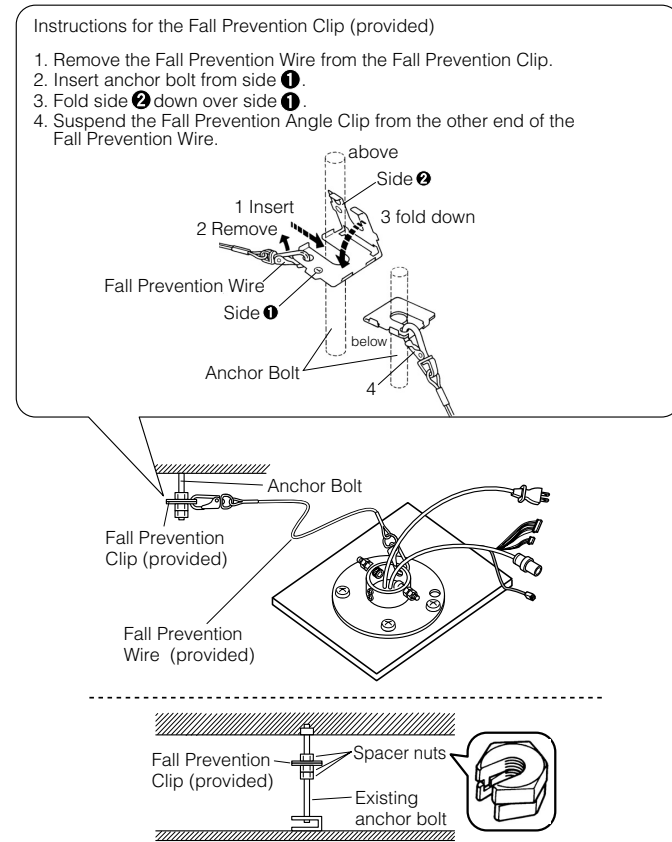


12 Place the Decoration Cover for the bracket on the camera. Then, pull up the Slot Masking Cover (provided).

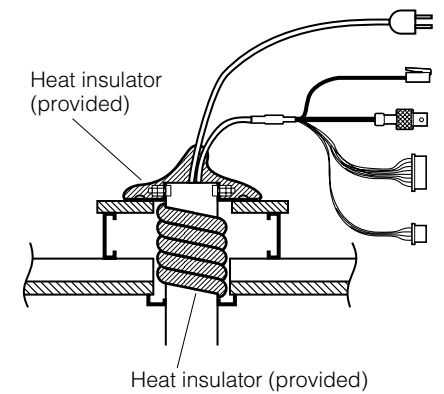


13 Attach the Fall Prevention Clip (provided) to the anchor bolt. Attach the Fall Prevention (provided) to the bracket and the Fall Prevention Angle Clip.

Note: Two spacer nuts are necessary for the anchor bolt.



14 Cover the bracket with the Heat Insulator (provided).



SPECIFICATIONS

Ambient Operating Temperature: 10°C - +50°C [14°F - 122°F]
 Dimensions: 120 (diameter) × 202 (D) mm
 [4-3/4" (diameter) × 7-61/64" (D) mm]
 Weight: 720 g {1.59 lbs}

Weight and dimensions indicated are approximate. Specifications are subject to change without notice.

STANDARD ACCESSORIES

Fall Protection Wire.....	1 pc.	Wrench for Hexagon Socket Head Screw.....	1 pc.
Fall Prevention Clip.....	1 pc.	Nut (M4).....	4 pcs.
Ceiling Mounting Ring.....	1 pc.	Screw (M3).....	2 pcs.
L-type Base Lug.....	1 pc.	Screw (M4-L8).....	4 pcs.
L-type Lock Lug.....	1 pc.	Template.....	1 pc.
Slot Masking Cover.....	1 pc.	Heat Insulator.....	1 pc.
Hexagon Socket Head Screw (M4).....	2 pcs.		

For European and other fields:
Matsushita Electric Industrial Co., Ltd.
 Osaka, Japan
<http://www.panasonic.co.jp/global/>

For U.S., Canadian and Puerto Rican fields:
Panasonic System Solutions Company,
 Unit Company of Panasonic Corporation of North America
Security Systems
www.panasonic.com/security
 For customer support, call 1.877.733.3689
Executive Office: Three Panasonic Way 2H-2,
 Secaucus, New Jersey 07094

Zone Office
Eastern: Three Panasonic Way, Secaucus, New Jersey 07094
Central: 1707 N. Randal Road, Elgin, IL 60123
Southern: 1225 Northbrook Parkway, Suwanee, GA 30024
Western: 6550 Katella Ave., Cypress, CA 90630

Panasonic Canada Inc.
 5770 Ambler Drive, Mississauga,
 Ontario, L4W 2T3 Canada (905) 624-5010
<http://www.panasonic.ca>

Panasonic Sales Company
Division of Panasonic Puerto Rico Inc.
 San Gabriel Industrial Park 65th Infantry Ave. KM.
 9.5 Carolina, P.R. 00985 (809) 750-4300